



# USER GUIDE & INSTALLATION INSTRUCTIONS

Classic / Professional+ / Kitchener  
90 Dual Fuel

Australia

U111287-04b



# Contents

---

|                                |           |   |           |
|--------------------------------|-----------|---|-----------|
| <b>1. Before You Start...</b>  | <b>1</b>  | <b>9. Troubleshooting</b>               | <b>24</b> |
| Personal Safety                | 1         | <b>10. Service and Spares</b>           | <b>26</b> |
| Electrical Connection Safety   | 2         | <b>11. Installation</b>                 | <b>27</b> |
| If You Smell Gas               | 2         | Safety Requirements and Regulations     | 27        |
| Peculiar Smells                | 2         | Provision of Ventilation                | 27        |
| Cooling Fan                    | 2         | Location of Cooker                      | 27        |
| Ventilation                    | 3         | Conversion                              | 27        |
| Maintenance                    | 3         | Positioning the Cooker                  | 29        |
| Grill/Glide-out Grill™ Care    | 5         | Moving the Cooker                       | 30        |
| Cooker Care                    | 5         | Lowering the Two Rear Rollers           | 30        |
| Cleaning                       | 5         | Completing the Move                     | 30        |
| <b>2. Cooker Overview</b>      | <b>7</b>  | Levelling                               | 31        |
| Hotplate Burners               | 7         | Fitting the Stability Bracket and Chain | 31        |
| Wok Burner                     | 8         | Fitting a Stability Bracket             | 31        |
| The Wok Cradle*                | 9         | Fitting the Restraining Chain           | 32        |
| The Griddle*                   | 9         | Gas Connection                          | 32        |
| The Glide-out Grill            | 10        | Natural Gas                             | 32        |
| The Ovens                      | 11        | Propane                                 | 32        |
| Operating the Ovens            | 11        | Pressure Testing                        | 33        |
| <b>3. Rotary clock</b>         | <b>12</b> | Electrical Connection                   | 33        |
| <b>4. 3 button clock</b>       | <b>14</b> | Fixed Wiring                            | 34        |
| <b>5. 6 Button clock</b>       | <b>16</b> | Final Fitting and Checks                | 34        |
| <b>6. Cooking tips</b>         | <b>18</b> | Customer Care                           | 35        |
| <b>7. Cooking Table</b>        | <b>19</b> | <b>12. Servicing</b>                    | <b>36</b> |
| <b>8. Cleaning your cooker</b> | <b>20</b> | 1 Panels                                | 36        |
| Essential Information          | 20        | 2 Hotplate                              | 37        |
| Hotplate Burners               | 20        | 3 Controls                              | 38        |
| The Griddle Plate              | 21        | 4 Grill                                 | 38        |
| Glide-out Grill                | 21        | 5 Ovens                                 | 38        |
| Control Panel and Doors        | 21        | 6 Doors                                 | 40        |
| Ovens                          | 22        | <b>13. Circuit Diagram</b>              | <b>42</b> |
| Cleaning table                 | 23        | <b>14. Technical Data</b>               | <b>43</b> |



# 1. Before You Start...

---

Your cooker should give you many years of trouble-free cooking if installed and operated correctly. It is important that you read this section before you start.

This User Guide covers a number of different models. Although some of the illustrations will look different to your particular model the functions will be the same. We hope the meaning is clear.

## Personal Safety

This appliance is for cooking purposes only. It must not be used for other purposes, for example heating a room. Using it for any other purpose could invalidate any warranty or liability claim. Besides invalidating claims this wastes fuel and may overheat the control knobs.

This cooker must be installed in accordance with the relevant instructions in this booklet and with the national and local regulations as well as the local gas and electricity supply companies' requirements.

- This appliance can be used by children aged from 8 years and above and persons with reduced physical, sensory or mental capabilities or lack of experience and knowledge if they have been given supervision or instruction concerning use of the appliance in a safe way and understand the hazards involved.
- **WARNING:** Children **less** than 8 years of age should be kept away unless continuously supervised. Children shall not play with the appliance. Cleaning and user maintenance shall not be made by children without supervision.
- Suitable only for indoor installation.
- **DO NOT** operate this appliance before reading the instruction booklet.
- **DO NOT** place articles on or against this appliance.
- **DO NOT** operate with panels, covers or guards removed from this appliance.
- The cooker should not be placed on a base.
- This appliance is designed for domestic cooking only. Use for any other purpose could invalidate any warranty or liability claim.
- Before operating the ovens please refer to the oven shelf installation, in the Accessories section.
- **WARNING:** The appliance and its accessible parts become hot during use and will retain heat even after you have stopped cooking. Care should be taken to avoid touching heating elements. Children less than 8 years of age shall be kept away unless continuously supervised.
- **CAUTION:** A long term cooking process has to be supervised from time to time. A short term cooking process has to be supervised continuously.
- At the risk of fire **DO NOT** store items on the cooking surfaces.
- **DO NOT** place articles on or against this appliance.
- **DO NOT** install an aftermarket lid or cover over this appliance.
- **DO NOT** install combustible bench top lids or covers within 200 mm (7 7/8") of the nearest burner.
- To avoid overheating, **DO NOT** install the cooker behind a decorative door.
- **WARNING:** Accessible parts will become hot during use and will retain heat even after you have stopped cooking. Keep babies and children away from the cooker and never wear loose-fitting or hanging clothes when using the appliance.

- **DO NOT** use a steam cleaner on your cooker.
- Always keep combustible materials, e.g. curtains, and flammable liquids a safe distance away from the cooker.
- **DO NOT** spray aerosols in the vicinity of the cooker while it is on.

## Electrical Connection Safety

### **⚠ WARNING: THE APPLIANCE MUST BE EARTHED.**

The cooker is preset for a single-phase earthed electrical connection. It is essential to install a multi-pole circuit breaker that completely disconnects the appliance from the mains, with a minimum contact break distance of 3 mm.

See the 'Technical Data' section for information on the total electrical load of the appliance. The cable size used should be suitable for this load and comply with all local requirements (i.e. PVC Insulated cable IEC 60227 – code 53 for ordinary cables).

Minimum temperature rating T105.

Read the instructions before installing or using this appliance.

## Gas Connection Safety

- This cooker is a Class 2 Subclass 1 appliance.
- This appliance can be converted for use on another gas.
- Before installation, make sure that the cooker is suitable for your gas type and supply voltage. See the data badge.
- **DO NOT** use reconditioned or unauthorised gas controls.
- Disconnect from the electricity and gas supply before servicing.
- When servicing or replacing gas-carrying components disconnect from the gas supply before starting operation. Check the appliance is gas sound after completion.

- Make sure that the gas supply is turned on and that the cooker is wired in and switched on.
- In your own interest and that of safety, it is law that all gas appliances be installed by a qualified person(s).
- An appliance for use on LPG must not be installed in a room or internal space below ground level, e.g. in a basement.

## If You Smell Gas

- **DO NOT** turn electric switches on or off
- **DO NOT** smoke
- **DO NOT** use naked flames
- Turn off the gas at the meter or cylinder
- Open doors and windows to get rid of the gas
- Keep people away from the area affected
- Call your gas supplier

## Peculiar Smells

When you first use your cooker it may give off an odour. This should stop after use.

Before using for the first time, make sure that all packing materials have been removed and then, to dispel manufacturing odours, turn the ovens to 200°C and run for at least an hour.

Before using the grill for the first time you should also turn on the grill and run for 30 minutes with the grill pan in position, pushed fully back and the grill door open.

Make sure the room is well ventilated to the outside air (see 'Ventilation' below). People with respiratory or allergy problems should vacate the area for this brief period.

## Cooling Fan

This appliance may have a cooling fan. When the grill or ovens are in operation the fan will run to cool the fascia and control knobs.

## Ventilation

The use of a cooking appliance results in the production of heat and moisture in the room in which it is installed. Therefore, make sure that the kitchen is well ventilated: keep natural ventilation holes open or install a powered cookerhood that vents outside. If you have several hotplates/burners on, or use the cooker for a long time, open a window or turn on an extractor fan

## Maintenance

- It is recommended that this appliance is serviced annually.
  - **WARNING:** Before replacing the oven lamp, turn off the power supply and make sure that the oven is cool.
  - **DO NOT** use cooking vessels on the hotplate that overlap the edges.
  - Unless specified otherwise in this guide, always allow the cooker to cool and then switch it off at the mains before cleaning or carrying out any maintenance work.
  - **DO NOT** use the control knobs to manoeuvre the cooker.
  - **NEVER** operate the cooker with wet hands.
  - **DO NOT** use a towel or other bulky cloth in place of a glove – it might catch fire if brought into contact with a hot surface.
  - **DO NOT** use hotplate protectors, foil or hotplate covers of any description. These may affect the safe use of your hotplate burners and are potentially hazardous to health.
  - **NEVER** heat unopened food containers. Pressure build up may make the containers burst and cause injury.
  - **DO NOT** use unstable saucepans. Always make sure that you position the handles away from the edge of the hotplate.
  - **NEVER** leave the hotplate unattended at high heat settings. Pans boiling over can cause smoking, and greasy spills may catch on fire. Use a deep fat thermometer whenever possible to prevent fat overheating beyond the smoking point.
- ⚠ **WARNING: Unattended cooking on a hob with fat or oil can be dangerous and may result in fire.**
- ⚠ **NEVER** try to extinguish a fire with water, but switch off the appliance and then cover the flame e.g. with a lid or a fire blanket.
- **NEVER** leave a chip pan unattended. Always heat fat slowly, and watch as it heats. Deep fry pans should be only one third full of fat.
  - **WARNING: Danger of fire: do not store items on the cooking surfaces.**
  - **NEVER** try to move a pan of hot fat, especially a deep fat fryer. Wait until the fat is cool. Filling the pan too full of fat can cause spill over when food is added. If you use a combination of oils or fats in frying, stir them together before heating, or as the fats melt.
  - Foods for frying should be as dry as possible. Frost on frozen foods or moisture on fresh foods can cause hot fat to bubble up and over the sides of the pan. Carefully watch for spills or overheating of foods when frying at high or medium high temperatures.
  - **DO NOT** use the top of the flue (the slot along the back of the cooker) for warming plates, dishes, drying tea towels or softening butter.
  - **DO NOT** use water on grease fires and never pick up a flaming pan. Turn the controls off and then smother a flaming pan on a surface unit by covering the pan completely with a well fitting lid or baking tray. If available, use a multi-purpose dry chemical or foam-type fire extinguisher.

Fig. 1.1

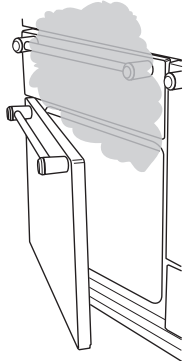
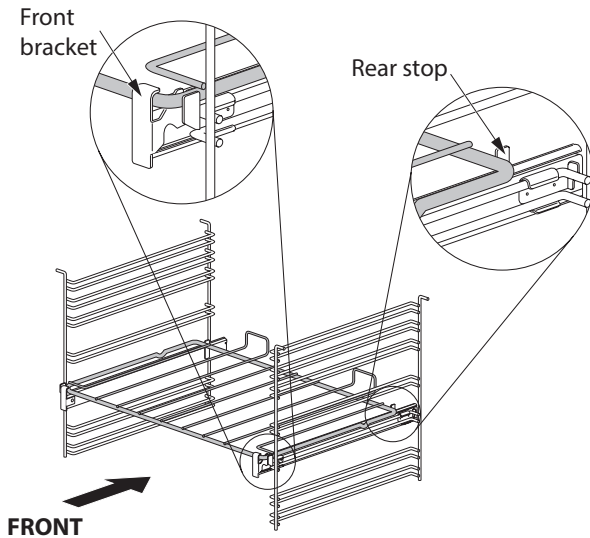


Fig. 1.2



- **DO NOT** modify this appliance. This appliance is not intended to be operated by means of external timer or separated remote-control system.
- If flammable materials are stored in the drawer, oven(s) or grill(s) it may explode and result in fire or property damage.

## Oven Care

- When the oven is not in use and before attempting to clean the cooker always be certain that the control knobs are in the **OFF** position.
- Use oven gloves to protect your hand from potential burns.
- Cooking high moisture content foods can create a 'steam burst' when the oven door is opened (**Fig. 1.1**). When opening the oven, stand well back and allow any steam to disperse.
- The inside door face is constructed with toughened safety glass. Take care **NOT** to scratch the surface when cleaning the glass panel.
- Accidental damage may cause the door glass panel to fracture.
- Keep oven vent ducts unobstructed.
- **DO NOT** use harsh abrasive cleaners or sharp metal scrapers to clean the oven door glass since they can scratch the surface, which may result in shattering of the glass.
- Make sure the shelves are pushed firmly to the back of the oven. **DO NOT** close the door against the oven shelves.
- **DO NOT** use aluminium foil to cover shelves, linings or the oven roof.
- When the oven is on, **DO NOT** leave the oven door open for longer than necessary, otherwise the control knobs may become very hot.



- **DO NOT** use the timed oven if the adjoining oven is already warm.
- **DO NOT** place warm food in the oven to be timed.
- **DO NOT** use a timed oven that is already warm.
- Use dry oven gloves when applicable – using damp gloves might result in steam burns when you touch a hot surface.

### Oven Shelves (dependant on model)

To fit the glide-out shelf, hook the front of the shelf onto the runners as shown (**Fig. 1.2**). The rear of the shelf should rest on the runners, in front of the rear stop (**Fig. 1.2**).

Standard oven shelves can be fitted by lining up the shelf with a groove in the oven ladders. Push the shelf back until the ends hit the shelf stop. Lift the front so the shelf clears the stops, then lower the front so the shelf is level and push it fully back.

### Grill/Glide-out Grill™ Care

- When using the grill, make sure that the grill pan is in position and pushed fully in, otherwise the control knobs may become very hot.
- **DO NOT** leave the grill on for more than a few moments without the grill pan underneath it, otherwise the knobs may become hot.
- **NEVER** close the grill door when the grill is on.
- Accessible parts may be hot when the grill is in use. Young children should be kept away

### Cooker Care

As steam can condense to water droplets on the cool outer trim of the oven, it may be necessary during cooking to wipe away any moisture with a soft cloth. This will also help to prevent soiling and discolouration of the oven exterior by cooking vapours.

### Cleaning

- Isolate the electricity supply before carrying out any thorough cleaning. Allow the cooker to cool.
- In the interests of hygiene and safety, the cooker should be kept clean at all times as a build up in fats and other food stuff could result in a fire.
- Clean only the parts listed in this guide.
- Clean with caution. If a wet sponge or cloth is used to wipe spills on a hot surface, be careful to avoid steam burns. Some cleaners can produce noxious fumes if applied to a hot surface.
- **NEVER** use paint solvents, washing soda, caustic cleaners, biological powders, bleach, chlorine based bleach cleaners, coarse abrasives or salt.
- **DO NOT** mix different cleaning products – they may react together with hazardous results.
- All parts of the cooker can be cleaned with hot soapy water.
- Take care that no water seeps into the appliance.
- Before you remove any of the grill parts for cleaning, make sure that they are cool or use oven gloves.
- **DO NOT** use any abrasive substances on the grill and grill parts.
- **DO NOT** put the side runners in a dishwasher.

- **DO NOT** put the burner heads in a dishwasher.
- **NEVER** use caustic or abrasive cleaners as these will damage the surface.
- **DO NOT** use steel wool, oven cleaning pads or any other materials that will scratch the surface.
- **NEVER** store flammable materials in the drawer. This includes paper, plastic and cloth items, such as cookbooks, plastic ware and towels, as well as flammable liquids.
- **DO NOT** store explosives, such as aerosol cans, on or near the appliance.
- **DO NOT** use steel wool, oven cleaning pads, or any other materials that will scratch the surface.
- **DO NOT** attempt to disassemble or clean around any burner while another burner is on, otherwise an electric shock could result.

## 2. Cooker Overview



The 90 dual fuel cooker (**Fig. 2.1**) has the following features:

- A. 5 hotplate burners including a wok burner
- B. A control panel incorporating a timer
- C. A glide-out grill
- D. Main fan oven
- E. Tall fan oven

### Hotplate Burners

The drawing by each of the central knobs indicates which burner that knob controls.

Each burner has a Flame Supervision Device (FSD) that prevents the flow of gas if the flame goes out.

When the igniter button is pressed in, sparks will be made at every burner – this is normal. Do not attempt to disassemble or clean around any burner while another burner is on, otherwise an electric shock could result.

To light a burner, press the igniter button, and push in and turn the associated control knob to the high position as indicated by the large flame symbol (🔥), (**Fig. 2.2**).

The igniter should spark and light the gas. Keep holding the knob pressed in to let the gas through to the burner for about ten seconds.

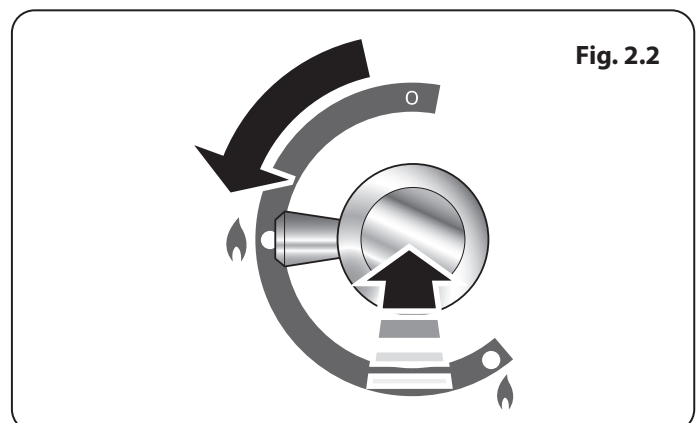
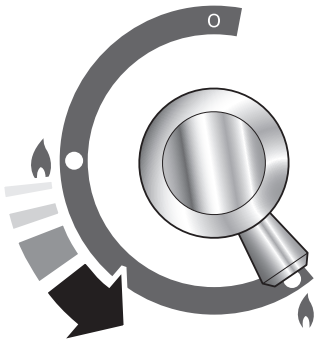


Fig. 2.3



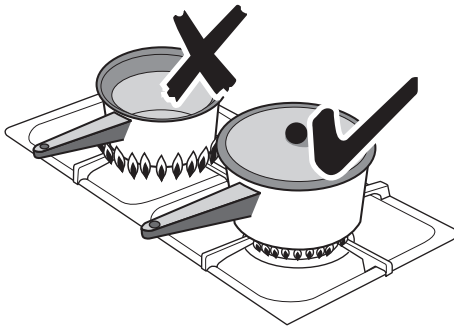
If, when you let go of the control knob, the burner goes out, then the FSD has not been bypassed. Turn the control knob to the OFF position and wait for one minute before you try again, this time making sure to hold in the control knob for slightly longer.

Adjust the flame height to suit by turning the knob counter-clockwise (Fig. 2.3).

If a burner flame goes out, turn off the control knob and leave it for one minute before relighting it.

Make sure that the flames are under the pans. Using a lid will help the contents boil more quickly (Fig. 2.4).

Fig. 2.4



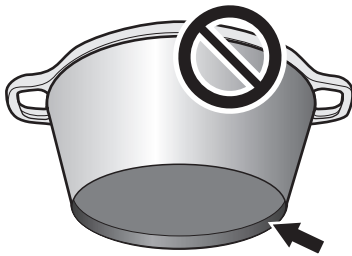
Large pans should be spaced well apart.

Pans and kettles with concave bases or down-turned base rims should not be used (Fig. 2.5).

Simmering aids, such as asbestos or mesh mats, are NOT recommended (Fig. 2.6). They will reduce burner performance and could damage the pan supports.

You should also avoid using unstable and misshapen pans that may tilt easily, and pans with a very small base diameter, e.g. milk pans, single egg poachers (Fig. 2.7).

Fig. 2.5

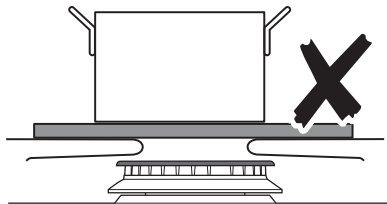


The minimum recommended pan diameter is 120 mm. The maximum allowable pan base diameter is 260 mm. For a pan diameter of 120 mm, or less, use the additional pan support trivet supplied (Fig. 2.8).

**DO NOT** use cooking vessels on the hotplate that overlap the edges.

## Wok Burner

Fig. 2.6



The wok burner is designed to provide even heat over a large area. It is ideal for large pans and stir-frying (Fig. 2.9).

For heating smaller pans, the aforementioned hotplate burners may be more efficient.

You can remove the burner parts for cleaning; see 'Cleaning Your Cooker'.

You should wipe the enamel top surface of the cooker around the hotplate burners as soon as possible after spills occur. Try to wipe them off while the enamel is still warm.

Fig. 2.7

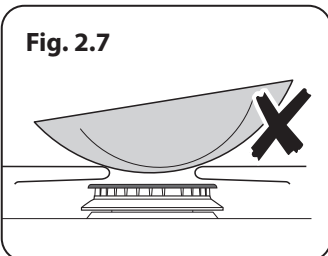


Fig. 2.8

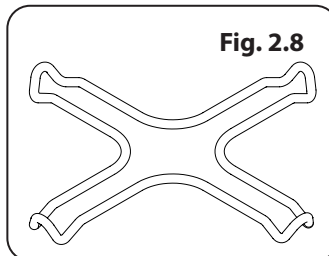
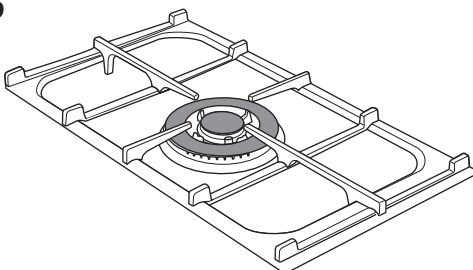


Fig. 2.9



**Note:** The use of aluminium pans may cause metallic marking of the pan supports. This does not affect the durability of the enamel and may be cleaned off with an appropriate metal cleaner.

## The Wok Cradle\*

The wok cradle is designed to fit a 35 cm wok. If you use a different wok, make sure that it fits the cradle. Woks vary very widely in size and shape. It is important that the wok sits down on the pan support – however, if it is too small, the cradle will not support it properly (**Fig. 2.10**).

The cradle should be used on the wok burner only. When you fit the cradle make sure that it is supported properly on a pan support and the wok is sitting level in the cradle (**Fig. 2.11**).

The cradle will get very hot in use – allow plenty of time for it to cool before you pick it up.

## The Griddle\*

The griddle fits the left-hand pan support, front to back (**Fig. 2.12**). It is designed for cooking food on directly. **DO NOT** use pans of any kind on it. The griddle surface is non-stick and metal cooking utensils (e.g. spatulas) will damage the surface. Use heat resistant plastic or wooden utensils.

- ⚠ **Do not put it crossways – it will not fit properly and will be unstable (Fig. 2.13).**
- ⚠ **Do not put it on any other burner – it is not designed to fit in any of the other pan supports.**

Position the griddle over the hotplate burners resting on the pan support. Check that it is securely located.

The griddle can be lightly brushed with cooking oil before use (**Fig. 2.14**). Light the hotplate burners. Adjust the flame heights to suit.

Preheat the griddle for **a maximum of 5 minutes** before adding food. Leaving it longer may cause damage. Turn the control knobs towards the low position, marked with the small flame symbol, to reduce the burner flames.

- ⚠ **Always leave space around the griddle for the gases to escape.**
- ⚠ **NEVER fit two griddles side by side (Fig. 2.15).**

After cooking, allow the griddle to cool before cleaning.

*\*Supplied with selected models only. Please refer to "Checking the Parts:" page 28.*

*Available as an optional extra.*

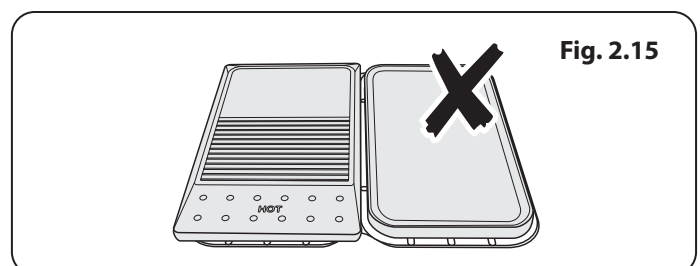
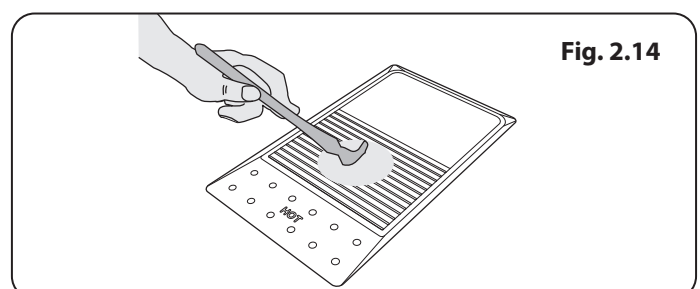
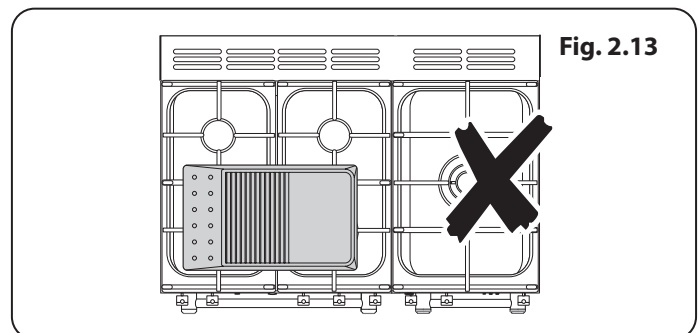
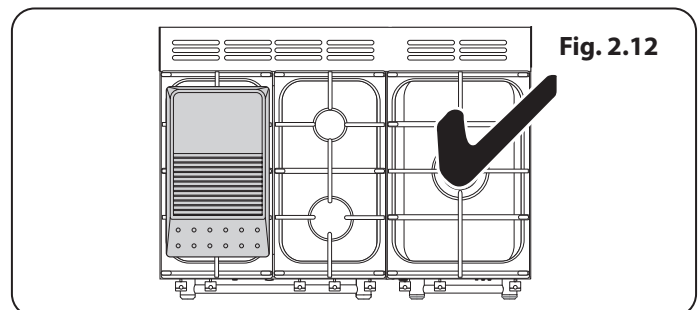
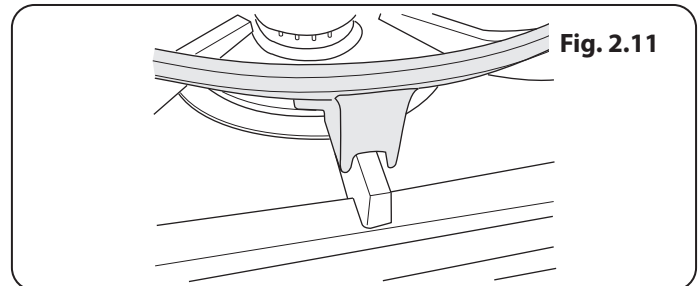
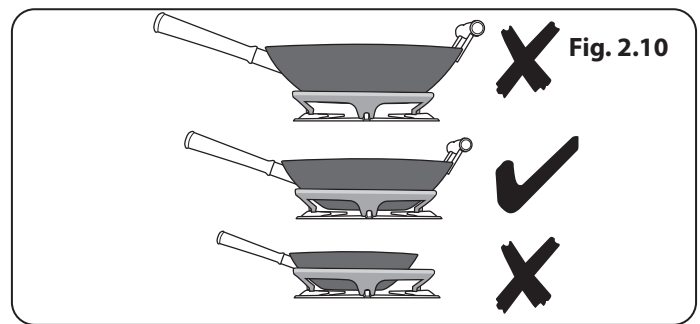


Fig. 2.16

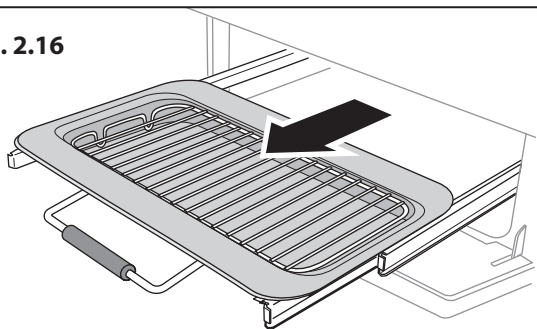


Fig. 2.17

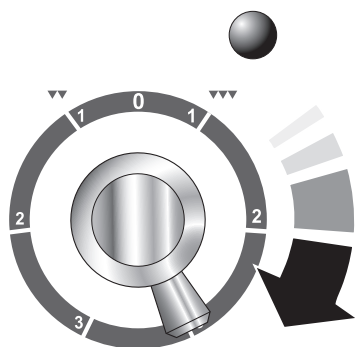
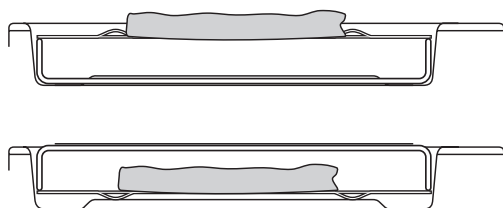


Fig. 2.18



## The Glide-out Grill

**⚠ CAUTION: Accessible parts may be hot when the grill is in use. Young children should be kept away.**

Open the door and pull the grill pan carriage forward using the handle (Fig. 2.16).

The grill has two elements that allow either the whole area of the pan to be heated or just the right-hand half.

Adjust the heat to suit by turning the knob. To heat the whole grill, turn the knob clockwise (Fig. 2.17).

To heat the right-hand half, turn the knob counter-clockwise. The neon indicator light by the grill control will come on.

For best results, slide the carriage back into the grill chamber. The grill trivet can be removed and the food placed on it while you are waiting for the grill to preheat.

**⚠ DO NOT leave the grill on for more than a few moments without the grill pan underneath it, otherwise the knobs may become hot.**

Once the grill has preheated, slide the carriage out again. With the trivet back in place with the food on it, slide the carriage back into the grill chamber. Make sure that it is pushed right in.

The grill pan trivet can be turned over to give two grilling positions (Fig. 2.18).

**⚠ Never close the grill door when the grill is on.**

## The Ovens

The clock must be set to the time of day before the ovens will work. See the following section on 'The Clock' for instructions on setting the time of day.

References to 'left-hand' and 'right-hand' ovens apply as viewed from the front of the appliance.

The left-hand oven is a programmable fan oven (**Fig. 2.19**) and the right-hand oven is a tall fan oven (**Fig. 2.20**).

### The Fan Oven

Fan ovens circulate hot air continuously, which means faster, more even cooking. The recommended cooking temperatures for a fan oven are generally lower than those for a non-fan oven.

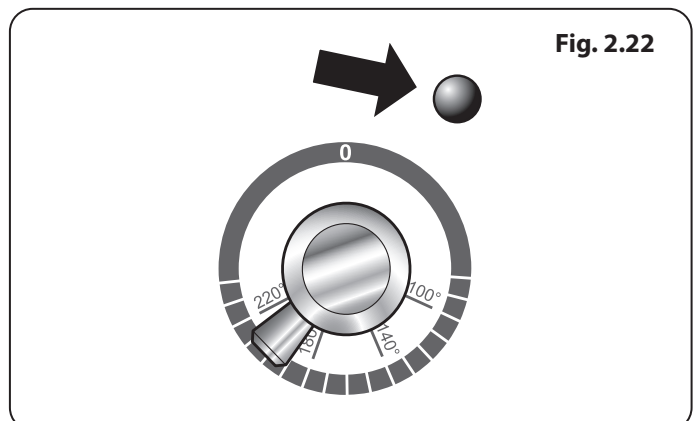
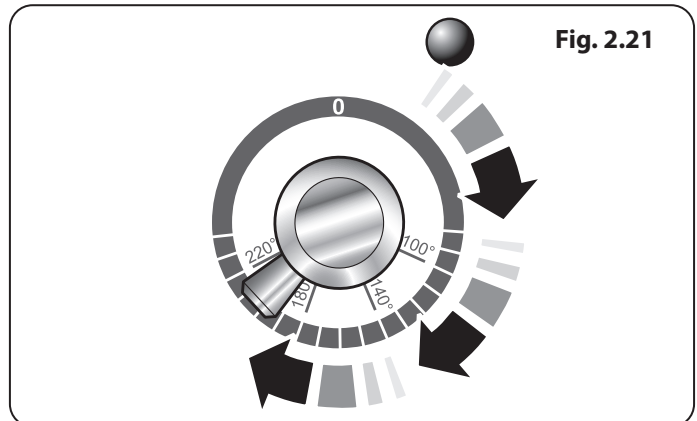
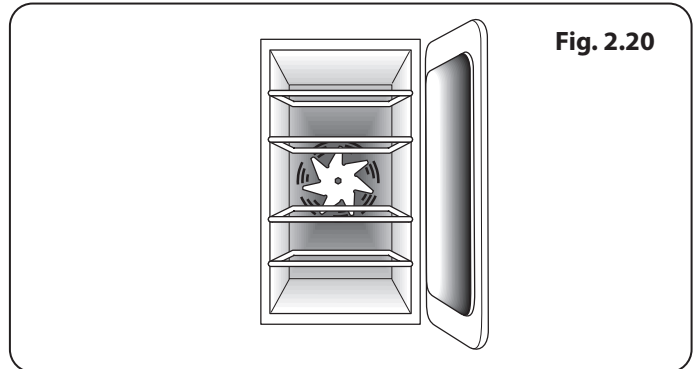
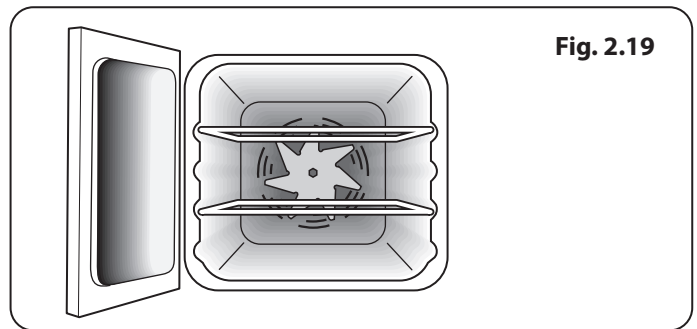
**Note:** Please remember that all cookers vary so temperatures in your new ovens may differ to those in your previous cooker.

## Operating the Ovens

### Fan Oven

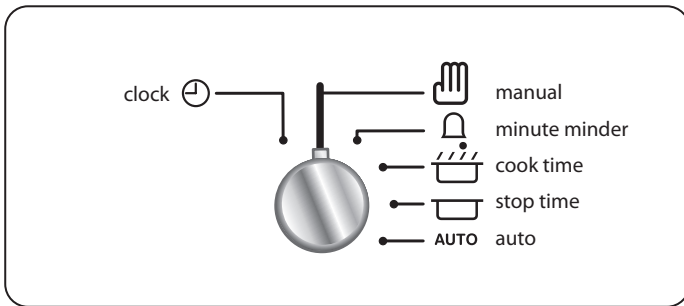
Turn the oven knob to the desired temperature (**Fig. 2.21**).

The oven indicator light will glow until the oven has reached the temperature selected (**Fig. 2.22**). It will then cycle on and off during cooking.



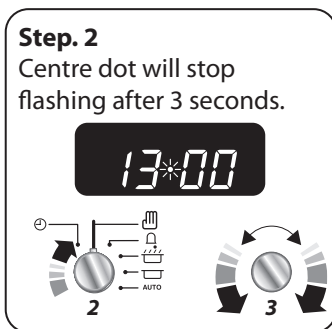
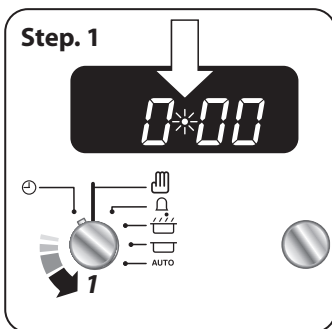
### 3. Rotary clock

#### Symbol key

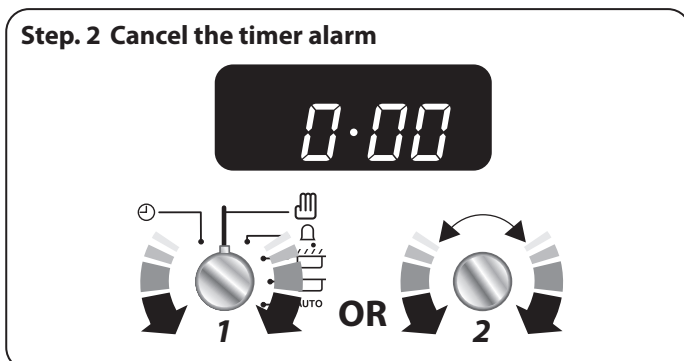
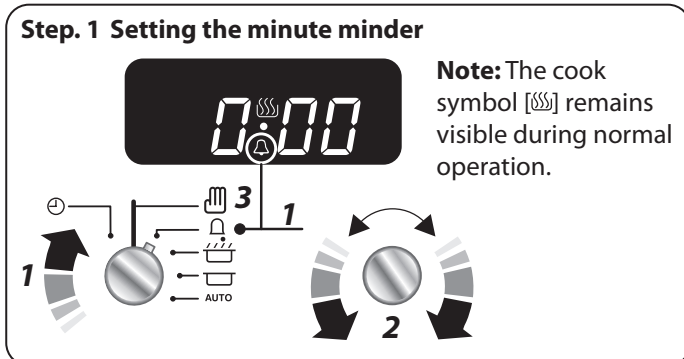


#### Setting the time

The clock must be set to the time of day before the oven will work



#### Minute Minder



**NOTE**

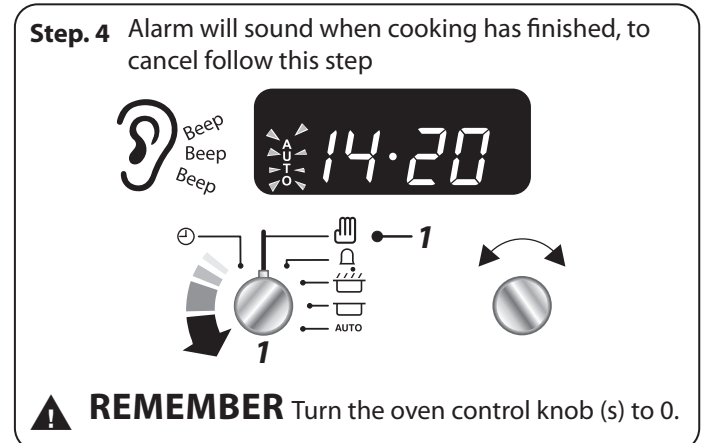
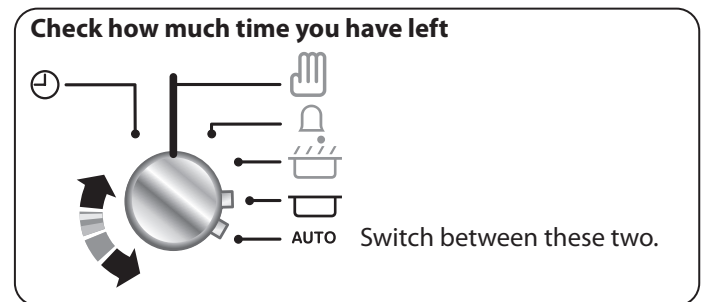
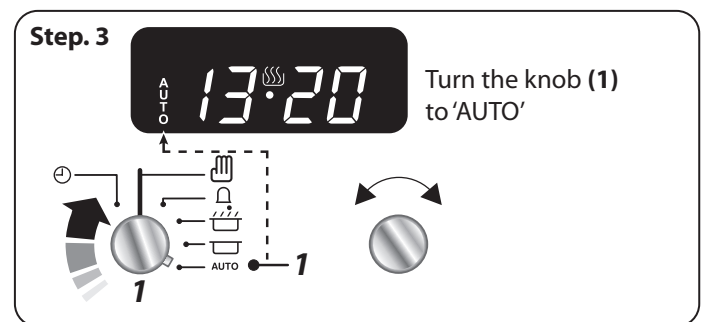
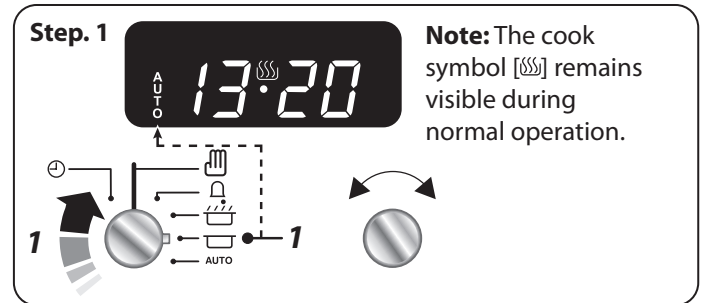
If the alarm is not manually switched off it will stop after approximately 2 minutes.

When the Minute Minder is active the clock will not dim between the hours of 10 pm and 6 am

#### To stop the oven at a specific time of day

(main oven only)

You have set the required temperature and function mode and you would like the oven to automatically stop.

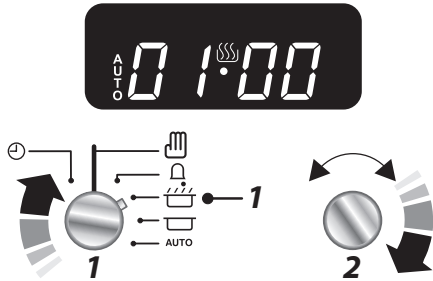




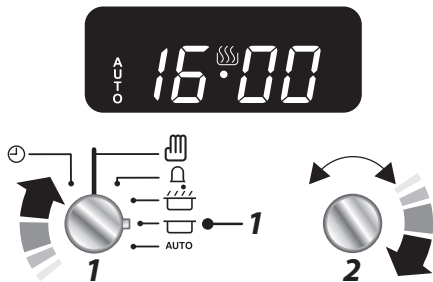
## To start and stop the oven automatically (main oven only)

The timer allows you to automatically start and stop by a combination of the length of the cooking time and the stop time. Giving you the flexibility to cook casseroles etc while you are out. You cannot set the actual start time.

### Step. 1 Set the cook time

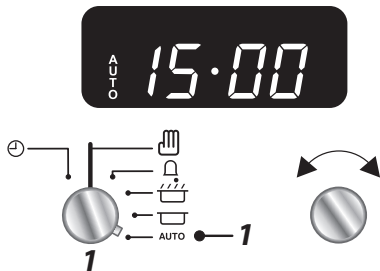


### Step. 2



1. The display will show the current time of day plus the 'cook time' you just set.
2. Turn knob (2) to set the time of day you want the oven to stop cooking

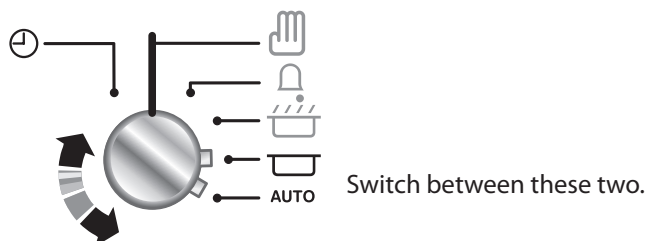
**Step. 3** Current time will be displayed along with the word 'AUTO'. Set the oven to the required cooking temperature and function.



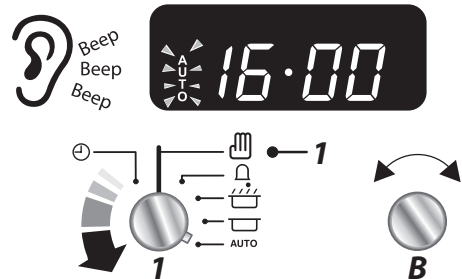
In this example the oven will come on automatically at 16.00 and switch off at 17.00.

**Note:** The cook symbol [🔥] will be visible once in operation.

### Check how much time you have left

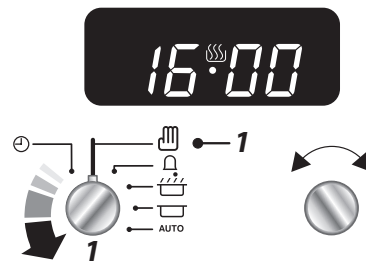


**Step. 4.** Alarm will sound when cooking has finished, to cancel follow this step



**REMEMBER** Turn the oven control knob(s) to 0.

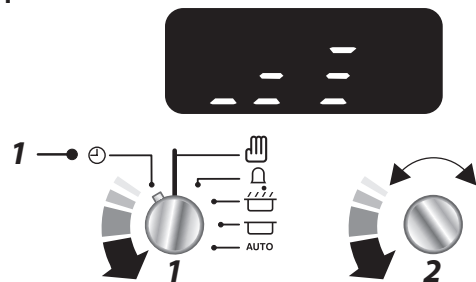
## To cancel any automatic settings



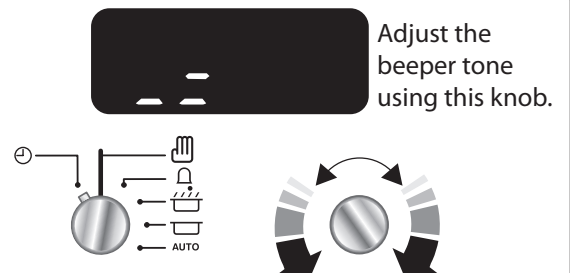
**Note:** Whilst this operation cancels all automatic program settings, it does not cancel the minute minder.

## Beeper tone adjustment

### Step. 1

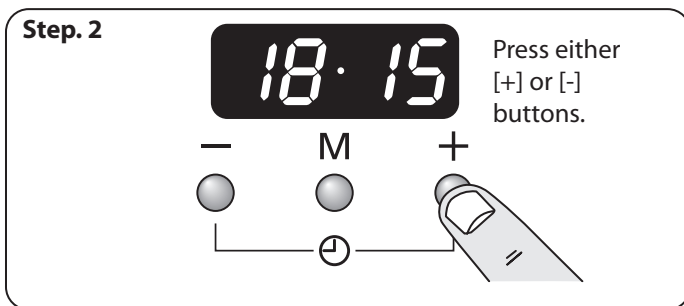
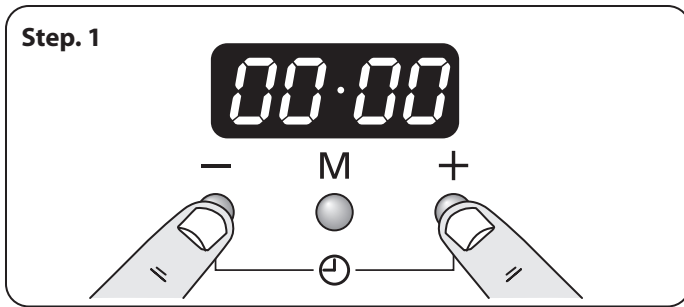


### Step. 2

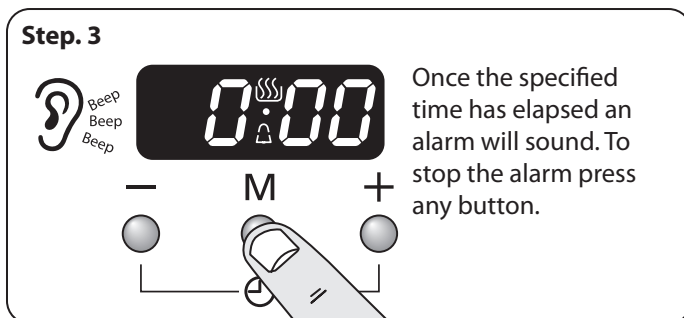
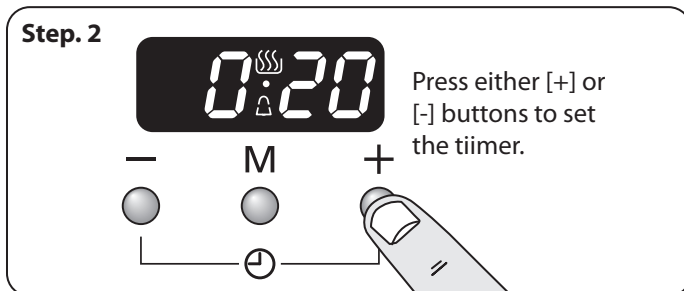
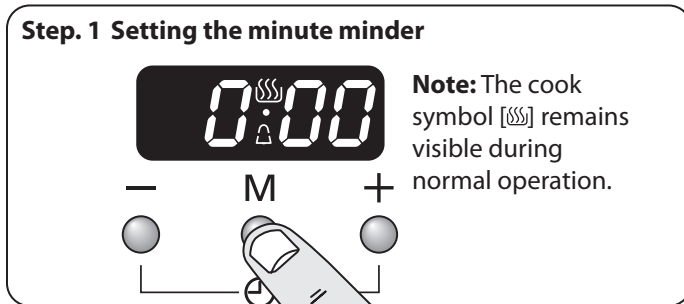


## 4. 3 button clock

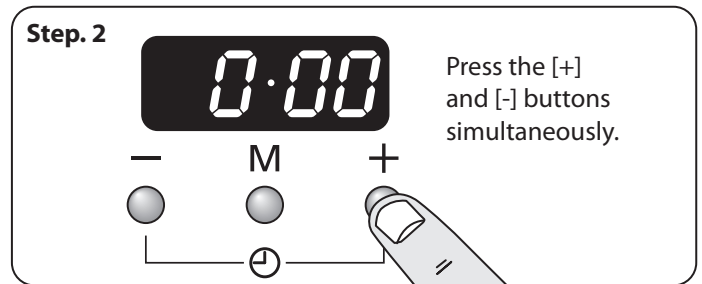
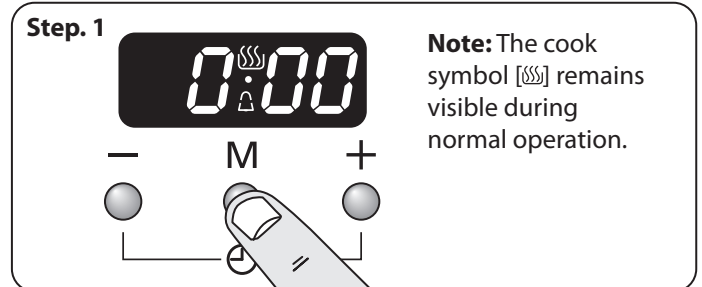
**Setting the time** The clock must be set to the time of day before the oven will work



### Minute Minder

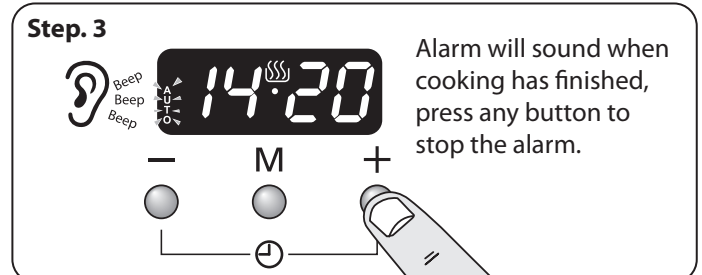
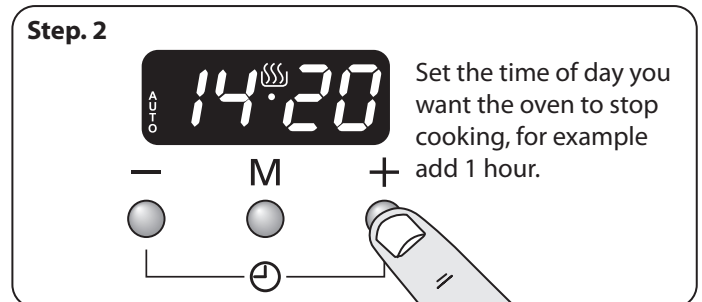
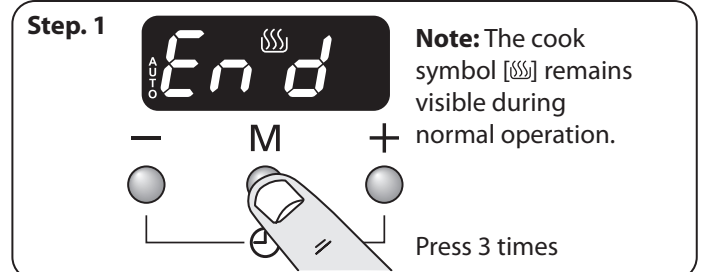


### Reset the minute minder



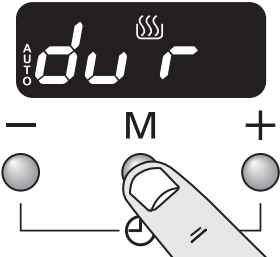
### To stop the oven at a specific time of day

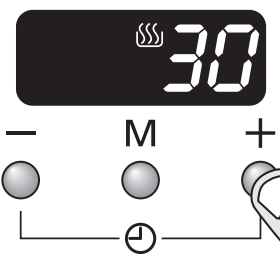
(main oven only) You have set the required temperature and function mode and you would like the oven to automatically stop.

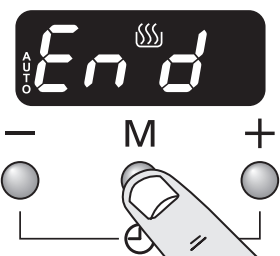


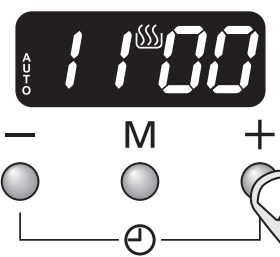
## To start and stop the oven automatically

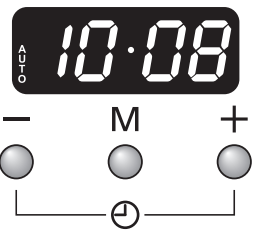
(main oven only)

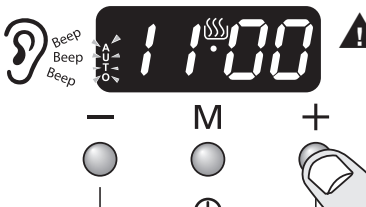
**Step. 1**  Press [M] button again until current time is displayed.

**Step. 2**  Set the length of time you want the oven to cook for.  
Press either [+] or [-] buttons

**Step. 3**  Set the length of time you want the oven to cook for.  
Press [M] button again until current time is displayed.

**Step. 4**  Press either [+] or [-] buttons to set the 'stop time'.

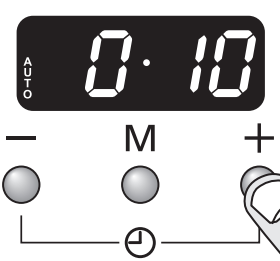
**Step. 5** Current time will be displayed along with the word 'AUTO'. Set the oven to the required cooking temperature and function.  
 In this example the oven will come on automatically at 10.30am and switch off at 11.00am.

**Step. 6** Alarm will sound when cooking has finished, press any button to stop the alarm.  
 **REMEMBER**  
Turn the oven control knob (s) to 0.

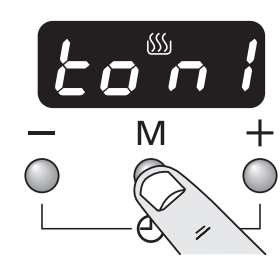
If the alarm is not stopped, it will stop automatically after 7 minutes.

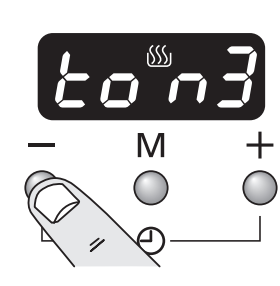
## AUTO is showing, but you want to revert to manual cooking

(main oven only)

 Press either [+] or [-] buttons

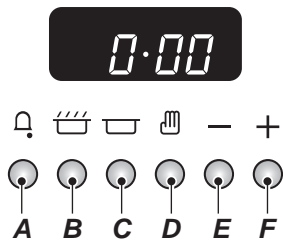
## Changing the frequency of the alarm

**Step. 1**  Press [M] button again until current time is displayed.

**Step. 2**  Press either [+] or [-] buttons

## 5. 6 Button clock

Fig. 5.1



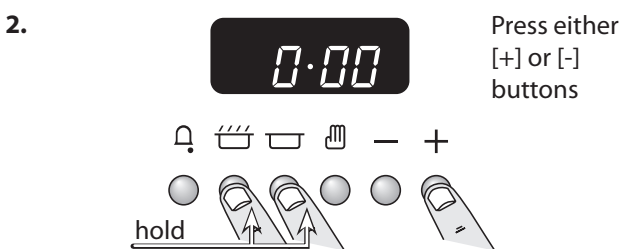
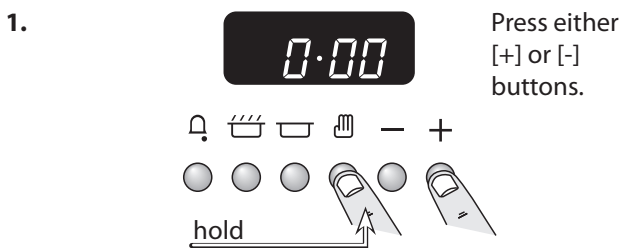
A – Minute minder, B – 'Cook' time, C – 'Stop' time, D – Manual, E & F – Time setting buttons

| Symbol | Function   | Notes   |
|--------|--|---|
| [bell] | Minute Minder is active  |   |
| [tray] | Oven(s) can be operated  | If the 'cook' [tray] symbol is not displayed the program has either: ended and the oven(s) are non-operational<br>the oven(s) are being controlled by an automatic program that has not started |
| [AUTO] | Oven(s) are being controlled in semi-automatic or automatic mode |   |
| [P]    | Self clean (pyrolytic) mode has been enabled                     | Your cooker may not have this pyrolytic function  |
| [dot]  | Flashes during setting the time of day                           |   |

Table 5.1 overview of the functions

### Setting the time

The clock must be set to the time of day before the oven will work. The time of day can be set in two ways:



**DO NOT forget that it is a 24-hour clock.**

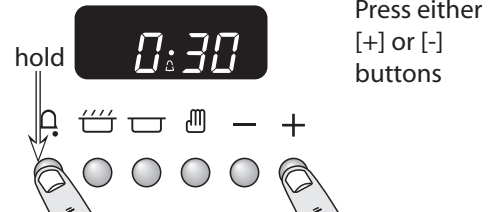
If you need to reset the clock/cooker, turn off the power and wait several minutes, then start again.

### Automatic dimming

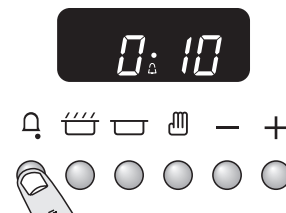
Providing there are no automatic programs set, and the minute minder is not active, your clock will automatically dim during the hours between 22:00 and 06:00.

### Minute Minder

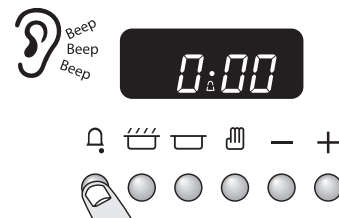
**Step. 1** Press and hold the [bell] button



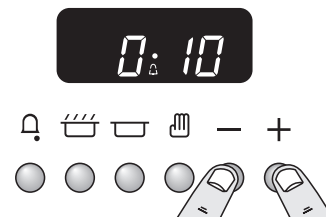
**Step. 2** Press [bell] button to check how long left



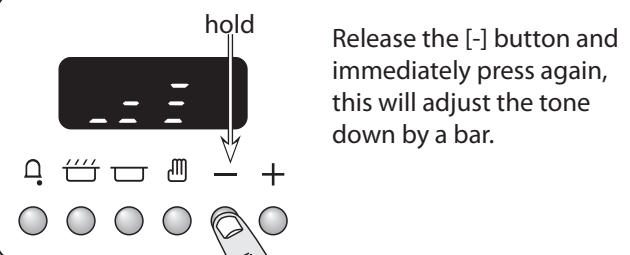
**Step. 3** To stop the alarm press any button.



### Reset minute minder and automatic programs



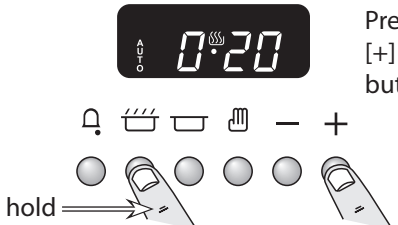
### Beeper tone adjustment.



## Setting a cook duration (main oven only)

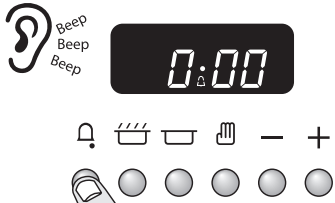
You have set the required temperature and function mode and you would like the oven to automatically stop.

**Step. 1**



Press either [+] or [-] buttons.

**Step. 2** To stop the alarm press any button.




**REMEMBER** Turn the oven control knob to 0.

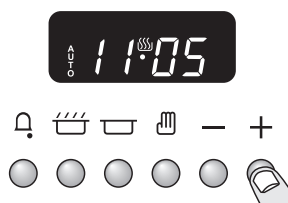
## Setting a cook end time (main oven only)

You have set the required temperature and function mode and you would like the oven to automatically stop.


**Step. 1**



**Step. 2**



**Step. 3** To stop the alarm press any button.

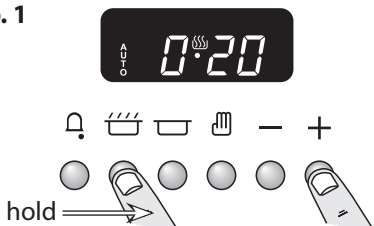


**REMEMBER** Turn the oven control knob(s) to 0.

## To start and stop the ovens automatically (main oven only)

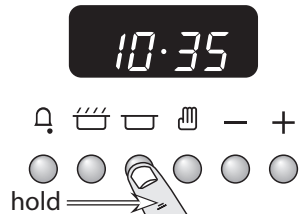
You have set the required temperature and function mode and you would like the oven to automatically stop.

**Step. 1**



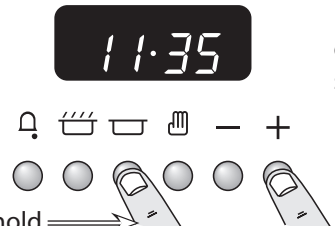
Press either [+] or [-] buttons to set cooking duration.

**Step. 2**



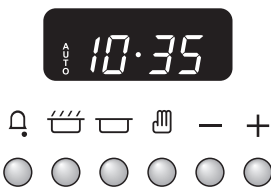
Display will show the current time.

**Step. 3**




Press either [+] or [-] buttons to set stop time. Release buttons.

**Step. 4**



The current time and the AUTO symbol will show on the display.

**Step. 5** To stop the alarm press any button.



**REMEMBER** Turn the oven control knob(s) to 0.

## 6. Cooking tips

---

### Tips on cooking with the timer

If you want to cook more than one dish, choose dishes that require approximately the same cooking time. However, dishes can be 'slowed down' slightly by using small containers and covering them with aluminium foil, or 'speeded up' slightly by cooking smaller quantities or placing them in larger containers.

Very perishable foods such as pork or fish should be avoided if a long delay period is planned, especially in hot weather.

 **DO NOT place warm food in the oven to be timed.**

 **DO NOT use a timed oven that is already warm.**

 **DO NOT use the timed oven if the adjoining oven is already warm.**

Whole poultry must be thoroughly defrosted before being placed in the oven. Check that meat and poultry are fully cooked before serving.

### General oven tips

The wire shelves should always be pushed firmly to the back of the oven.

Baking trays with food cooking on them should be placed level with the front edge of the oven's wire shelves. Other containers should be placed centrally. Keep all trays and containers away from the back of the oven, as overbrowning of the food may occur.

For even browning, the maximum recommended size of a baking tray are:

- depth: 340 mm (13 3/8") by width: 340 mm (13 3/8") in the main oven
- depth: 321 mm (12 5/8") by width: 232 mm (9 1/8") in the tall oven.

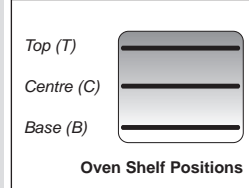
When the oven is on, **DO NOT** leave the door open for longer than necessary, otherwise the knobs may get very hot.

- Always leave a "finger's width" between dishes on the same shelf. This allows the heat to circulate freely around them.
- To reduce fat splashing when you add vegetables to hot fat around a roast, dry them thoroughly or brush lightly with cooking oil.
- Where dishes may boil and spill over during cooking, place them on a baking tray.
- The 'Cook & Clean' oven liners (see 'Cleaning Your Cooker') work better when fat splashes are avoided. Cover meat when cooking with foil or use a roasting bag.
- Sufficient heat rises out of the oven while cooking to warm plates in the grill compartment.
- If you want to brown the base of a pastry dish, preheat the baking tray for 15 minutes before placing the dish in the centre of the tray.

## 7. Cooking Table

The oven control settings and cooking times given in the table below are intended to be used **as a guide only**. Individual tastes may require the temperature to be altered to provide a preferred result.

Food is cooked at lower temperature in a fan oven than in a conventional oven. When using recipes, reduce the fan oven temperature by 10°C and the cooking time by 5-10 minutes. The temperature in the fan oven does not vary with height in the oven so you can use any shelf.



| Food                                       | Conventional Oven °C (Shelf Position) | Fan Oven Temperature | Approximate Cooking Time                            |  |  |
|--|---------------------------------------|----------------------|---|--|--|
| <b>Meat</b>                                |                                       |                      |   |  |  |
| Beef (no bone)                             | 160 (C)                               | 150 °C               | 30-35 minutes per 500g +30-35 minutes.              | Thoroughly thaw frozen joints before cooking. Meat may be roasted at 220°C (210°C for fan oven) and the cooking time adjusted accordingly. For stuffed and rolled meats, add approximately 10 minutes per 500g, or cook at 200°C (190°C) for 20 minutes then 160°C (150°C) for the remainder.  |  |
|  | 200 (C)                               | 190 °C               | 20-25 minutes per 500g +20-25 minutes.              |  |  |
| Lamb                                       | 160 (C)                               | 150 °C               | 30-35 minutes per 500g +30-35 minutes.              |  |  |
|  | 200 (C)                               | 190 °C               | 25-30 minutes per 500g +25-30 minutes.              |  |  |
| Pork                                       | 160 (C)                               | 150 °C               | 35-40 minutes per 500g +35-40 minutes.              |  |  |
|  | 200 (C)                               | 190 °C               | 25-30 minutes per 500g +25-30 minutes.              |  |  |
| <b>Poultry</b>                             |                                       |                      |   |  |  |
| Chicken                                    | 160 (C)                               | 150 °C               | 20-25 minutes per 500g +20-25 minutes.              |  | For stuffed poultry, you could cook at 200°C (190°C) for 20 minutes then 160°C (150°C) for remainder. Do not forget to include the weight of the stuffing. For fresh or frozen pre-packed poultry, follow instructions on the pack. Thoroughly thaw frozen poultry before cooking. |
|  | 200 (C)                               | 190 °C               | 15-20 minutes per 500g +15-20 minutes.              |  |  |
| Turkey                                     | 160 (C)                               | 150 °C               | 20 minutes per 500g +20 minutes.                    |  |  |
|  | 200 (C)                               | 190 °C               | 15 minutes per 500g +15 minutes.                    |  |  |
| Duck                                       | 160 (C)                               | 150 °C               | 25-30 minutes per 500g.                             |  |  |
|  | 200 (C)                               | 190 °C               | 20 minutes per 500g.                                |  |  |
| <b>Casserole</b>                           | 140-150 (C)                           | 130 °C-140 °C        | 2-4 hours according to recipe.                      |  |  |
| <b>Yorkshire Pudding</b>                   | 220 (C)                               | 210 °C               | Large tins 30-35 minutes; individual 10-20 minutes. |  |  |
| <b>Cake</b>                                |                                       |                      |   |  |  |
| Very rich fruit - Christmas, wedding, etc. | 140 (C/B)                             | 130 °C               | 45-50 minutes per 500g of mixture.                  | Using the conventional oven: When two tier cooking leave at least one runner space between shelves. Position the baking tray with the front edge along the front of the oven shelf.<br><br>Up to three tiers can be cooked on, in a fan oven, at the same time. But make sure to leave at least one runner space between each shelf being cooked on. |  |
| Fruit 180 mm tin                           | 150 (C/B)                             | 140 °C               | 2-2½ hours.   |  |  |
| Fruit 230 mm tin                           | 150 (C/B)                             | 140 °C               | Up to 3½ hours.                                     |  |  |
| Madeira 180 mm                             | 160 (C/B)                             | 150 °C               | 80-90 minutes.                                      |  |  |
| Queen cakes                                | 190 (C/B)                             | 180 °C               | 15-25 minutes.                                      |  |  |
| Scones                                     | 220 (C/B)                             | 210 °C               | 10-15 minutes.                                      |  |  |
| Victoria sandwich                          |                                       |                      |   |  |  |
| 180 mm tin                                 | 180 (C/B)                             | 170 °C               | 20-30 minutes.                                      |  |  |
| 210 mm tin                                 | 180 (C/B)                             | 170 °C               | 30-40 minutes.                                      |  |  |
| <b>Desserts</b>                            |                                       |                      |   |  |  |
| Shortcrust tarts                           | 200 (C/B)                             | 190 °C               | 20-30 minutes on a preheated tray.                  | Up to three tiers can be cooked on, in a fan oven, at the same time. But make sure to leave at least one runner space between each shelf being cooked on.  |  |
| Fruit pies                                 | 200 (C/B)                             | 190 °C               | 35-45 minutes.                                      |  |  |
| Tartlets                                   | 200 (C/B)                             | 190 °C               | 10-20 minutes according to size.                    |  |  |
| Puff pastry                                | 210 (C/B)                             | 200 °C               | 20-40 minutes according to size.                    |  |  |
| Meringues                                  | 100 (C/B)                             | 90 °C                | 2-3 hours.  |  |  |
| Baked egg custard                          | 160 (C/B)                             | 150 °C               | 45-60 minutes.                                      |  |  |
| Baked sponge pudding                       | 180 (C/B)                             | 170 °C               | 40-45 minutes.                                      |  |  |
| Milk pudding                               | 140-150 (C/B)                         | 130 °C-140 °C        | 2 to 3 hours.                                       |  |  |
| <b>Bread</b>                               | 210 (C)                               | 200 °C               | 20-30 minutes.                                      |  |  |
| <b>Fish</b>                                |                                       |                      |   |  |  |
|  | Fanned Grilling                       |                      |   |  |  |
| Fillet                                     | 190 (C/B)                             | 190 °C (C/B)         | 15-20 minutes                                       |  |  |
| Whole                                      | 190 (C/B)                             | 190 °C (C/B)         | 15-20 minutes per 500g.                             |  |  |
| Steak                                      | 190 (C/B)                             | 190 °C (C/B)         | Steaks according to thickness.                      |  |  |

## 8. Cleaning your cooker

### Essential Information

Isolate the electricity supply before carrying out any thorough cleaning. Allow the cooker to cool.

**⚠ NEVER use paint solvents, washing soda, caustic cleaners, biological powders, bleach, chlorine based bleach cleaners, coarse abrasives or salt.**

**⚠ DO NOT mix different cleaning products – they may react together with hazardous results.**

All parts of the cooker can be cleaned with hot soapy water – **but take care that no surplus water seeps into the appliance.**

Remember to switch on the electricity supply and reset the clock before re-using the cooker.

### Hotplate Burners

Some models have a separate trim ring, which fits on the burner head.

The burner heads and caps can be removed for cleaning.

**⚠ DO NOT put the burner heads in a dishwasher.**

Make sure they are absolutely dry before replacing them.

#### The Single Ring Burners

When refitting the burner head, make sure that the notch lines up with the electrode or hole in the base. Check that the burner head is level and that the cap is fitted centrally on the burner head (**Fig. 8.1**).

#### The Wok Burner

The Wok burner can also be taken apart for cleaning.

When reassembling the wok burner (**Fig. 8.2**), turn over the large base ring and find the 'D' shaped area (**Fig. 8.3**). Turn the head until the 'D' matches the one on the burner base. Flip the burner over once again and place it on the burner base.

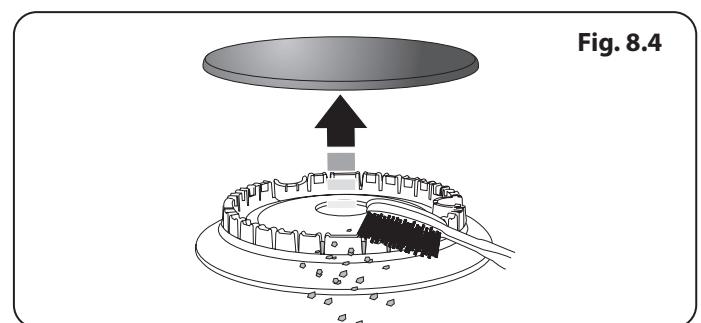
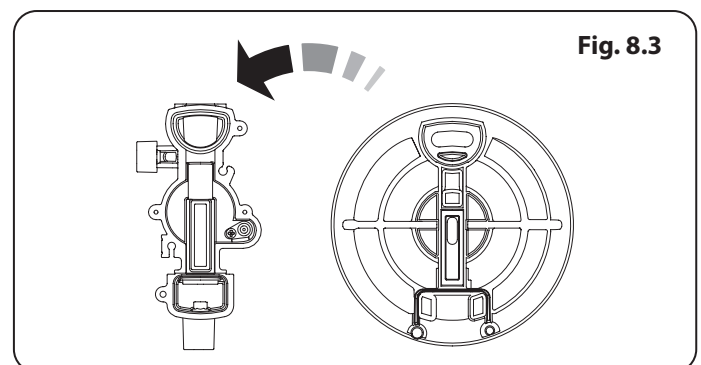
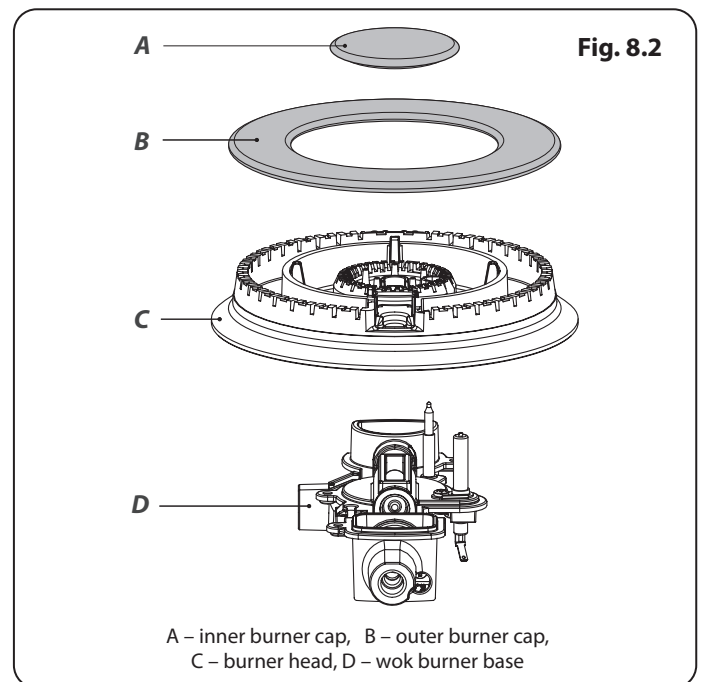
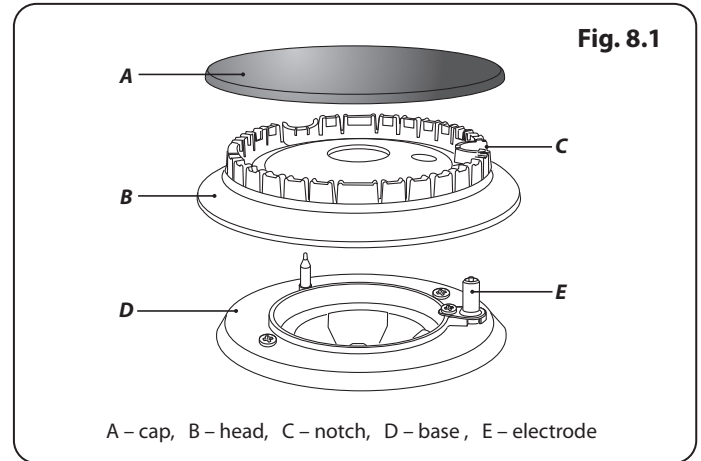
Check the burner slots are not blocked. If a blockage occurs, remove stubborn particles using a toothbrush (**Fig. 8.4**).

Now fit the two burner caps, ensuring that they are seated properly.

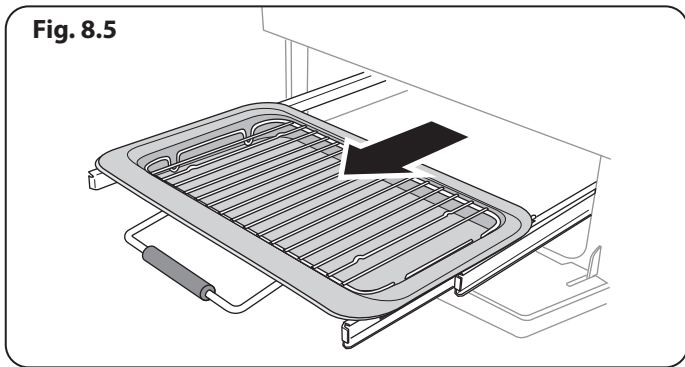
Check the burner ports are not blocked. If a blockage occurs, remove stubborn particles using a piece of fuse wire.

#### The Wok Cradle (optional)

Recommended cleaning materials are hot soapy water, a moistened soap pad, cream cleaner or a nylon scourer.



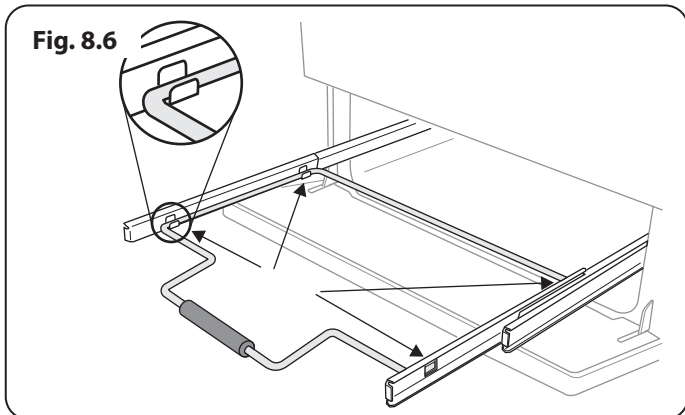




## The Griddle Plate

Always clean the griddle plate after use. Allow it to cool completely before removing. Immerse the griddle plate in hot soapy water. Use a soft cloth or, for stubborn stains, a nylon washing up brush.

**NOTE:** If the griddle plate is washed in a dishwasher then some dishwasher residue may appear on the back. This is normal and will not affect the performance of your griddle plate.



## Glide-out Grill

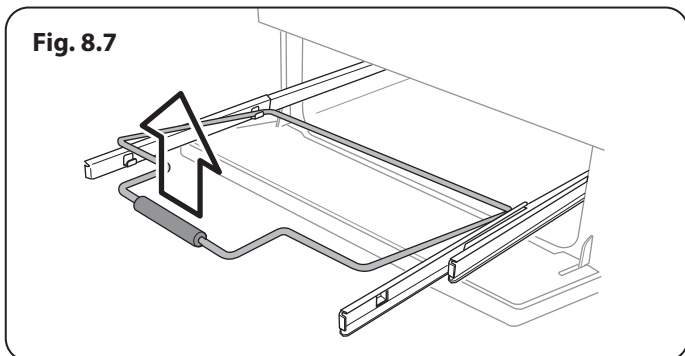
**⚠ Before you remove any of the grill parts for cleaning, make sure that they are cool, or use oven gloves.**

**⚠ DO NOT use any abrasive substances.**

The glide-out grill pan can be easily removed for cleaning as follows: Remove the grill pan support frame by pulling the grill pan forward (**Fig. 8.5**).

Lift the grill pan clear of the support frame. The support frame is held to the side rails by two clips on each side (**Fig. 8.6**).

For each side, support the side rail with one hand and with the other hand lift the frame up and out of the side clips (**Fig. 8.7**).

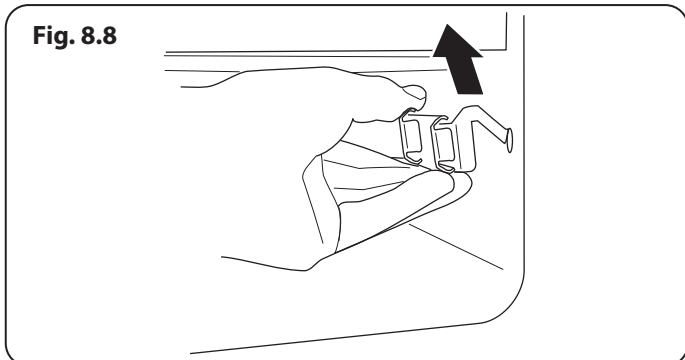


For safety, push the side rails back into the grill chamber.

If you need to remove the side rails to allow cleaning of the grill chamber, you can unhook them from the grill chamber sides (**Fig. 8.8**) and wipe the sides clean with a soft cloth and mild detergent.

**⚠ DO NOT put the side runners in a dishwasher.**

Once you have finished, hook the side rails back onto the sides of the chamber. To refit the frame, pull the side rails forward and, for each side in turn, support the side rail and press the frame down into the side rails. Replace the grill pan.



## Control Panel and Doors

Avoid using any abrasive cleaners including cream cleaners, on brushed stainless steel surfaces. For best results, use a liquid detergent.

The control panel, knobs and doors should only be cleaned with a soft cloth wrung out in clean hot soapy water – but take care that no surplus water seeps into the appliance.

After cleaning, polish with a dry cloth.

## Glass Fronted Door Panels

The oven door front panels can be taken off so that the glass panels can be cleaned. Move the cooker forward to gain access to the sides (see the 'Moving the Cooker' section under 'Installation').

Open the oven door slightly and remove the front panel fixing screws from the door sides, two each side (Fig. 8.9).

Carefully lift off the outer door panel. The inside face of the glass panels can now be cleaned – take care not to disturb or wet the door insulation.

**NOTE:** If the door is triple glazed then the inner two panels are fixed together and should not be separated.

After cleaning, carefully refit the outer door panel and replace the side fixing screws.

**⚠ DO NOT use harsh abrasive cleaners or sharp metal scrapers to clean the oven door glass since they can scratch the surface, which may result in shattering of the glass.**

## Ovens

### 'Cook & Clean' Panels

The main oven has panels which have been coated with a special enamel that partly cleans itself. This does not stop all marks on the lining, but helps to reduce the amount of manual cleaning needed.

The Cook & Clean panels work better above 200 °C. If you do most of your cooking below this temperature, occasionally remove the panels and wipe with a lint free cloth and hot soapy water. The panels should then be dried and replaced and the oven heated at 200 °C for about one hour. This will make sure that the Cook & Clean panels are working effectively.

**⚠ DO NOT use steel wool, oven cleaning pads, or any other materials that will scratch the surface.**

## Removing the Main Oven Linings

Some of the lining panels can be removed for cleaning.

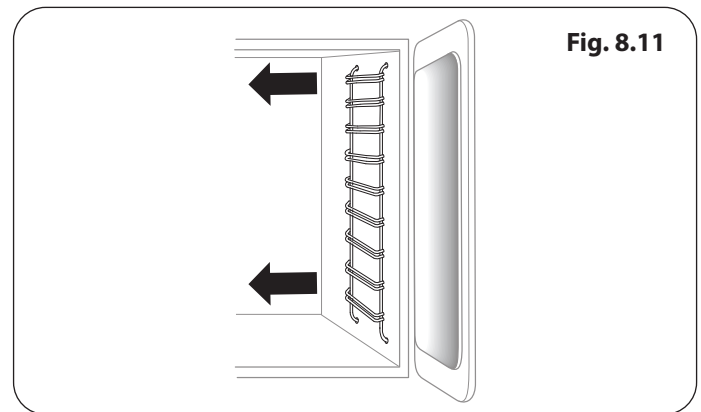
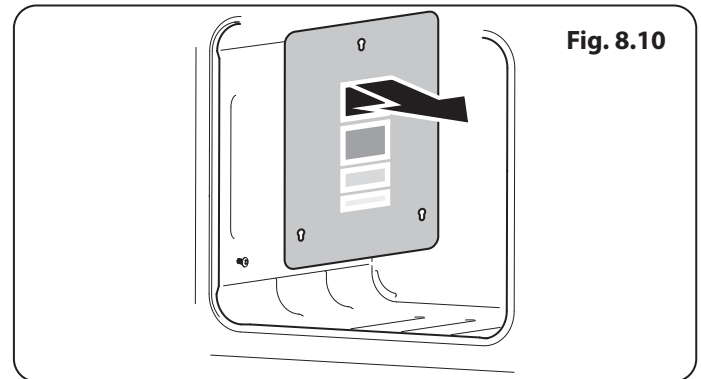
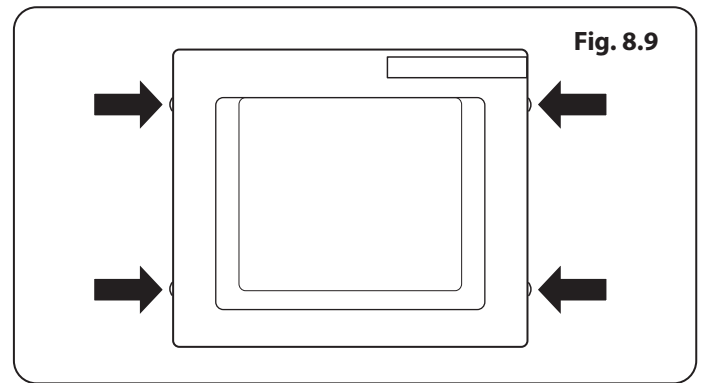
If you wish to clean the enamel interior of the oven, you will need to remove the shelves before removing the 'Cook & Clean' panels. You do not have to remove the support brackets to remove the panels. Lift each panel upward and slide forward off the support brackets (Fig. 8.10).

Once the panels have been removed, the oven enamel interior can be cleaned.

Refit in the reverse order.

## The Tall Oven

To clean the oven sides, slide out the shelves, unhook the supports from the oven sides, and lift out (Fig. 8.11).



## Cleaning table

Cleaners listed are available from supermarkets or electrical retailers as stated.

For enamelled surfaces use a cleaner that is approved for use on vitreous enamel.

Regular cleaning is recommended. For easier cleaning, wipe up any spillages immediately.

| <b>Hotplate</b>  |   |  |
|--|---|--|
| <b>Part</b>  | <b>Finish</b>                             | <b>Recommended Cleaning Method</b>   |
| Hob top (including burner heads and caps)                            | Enamel, stainless steel, aluminium        | Hot soapy water, soft cloth. Any stubborn stains remove gently with a nylon scourer.   |
| Ceramic/Induction hob  | Toughened glass                           | Hot soapy water; cream cleaner/scourer if necessary.   |
| Griddle plate (some models only)                                     | Non-stick surface                         | Allow to cool. Wash in hot soapy water. Do not use abrasive cleaners/scourers. Dishwasher.   |
| Warming zone (some models only)                                      | Toughened glass                           | Hot soapy water, cream cleaner/scourer if necessary.   |
| <b>Outside of Cooker</b>   |   |  |
| <b>Part</b>  | <b>Finish</b>                             | <b>Recommended Cleaning Method</b>   |
| Door, door surround and storage drawer exterior                      | Enamel or paint                           | Hot soapy water, soft cloth.<br>Any stubborn stains, remove gently with a liquid detergent.  |
|  | Stainless steel                           | E-cloth (electrical retailers) or microfibre all-purpose cloth (supermarket).  |
| Sides and plinth   | Painted surface                           | Hot soapy water, soft cloth.   |
| Splashback/rear grille   | Enamel or stainless steel                 | Hot soapy water, soft cloth. Cream cleaner, with care, if necessary.   |
| Control panel  | Paint, enamel or stainless steel          | Warm soapy water. Do not use abrasive cleaners on lettering.   |
| Control knobs/handles & trims  | Plastic/chrome, copper or lacquered brass | Warm soapy water, soft cloth.  |
|  | Brass                                     | Brass polish.  |
| Oven door glass/glass lid  | Toughened glass                           | Hot soapy water, cream cleaner/scourer if necessary.   |
| <b>Oven and Grill</b>  |   |  |
| <b>Part</b>  | <b>Finish</b>                             | <b>Recommended Cleaning Method</b>   |
| Sides, floor & roof of oven NOT COOK & CLEAN OVEN PANELS (see below) | Enamel                                    | Any proprietary oven cleaner that is suitable for enamel.<br>CAUTION: CORROSIVE/CAUSTIC OVEN CLEANERS: FOLLOW MANUFACTURER'S INSTRUCTIONS.<br>Do not allow contact with the oven elements. |
| Cook & Clean oven panels (some models only)                          | Special enamel that partly cleans itself  | This surface cleans itself at 200°C and above, or the panels can be removed and washed with hot soapy water and a nylon brush (see 'The Ovens' in 'Cleaning your Cooker').                 |
| Oven shelves, Handyrack, Grill trivet, Handygrill rack               | Chrome                                    | An oven interior cleaner that is suitable for chrome. Soap filled pad. Dishwasher.   |
| Grill pan/meat tin (some models only)                                | Enamel                                    | Hot soapy water. Soap filled pad. Dishwasher.  |

## 9. Troubleshooting

---

### Hotplate/Cooktop ignition or hotplate burners faulty

Is the power on? Is the clock illuminated?

If not, there maybe something wrong with the power supply.

Are the sparker (ignition electrode) or burner slots blocked by debris?

Are the burner trim and caps correctly located? See the section on 'Cleaning'.

### Hotplate/Cooktop burners will not light

Make sure that the burner parts have been replaced correctly after wiping or removing for cleaning.

Check that there is not a problem with your gas supply. You can do this by making sure that other gas appliances you may have are working.

### Do the burners spark when you push the button?

If not, verify that the power is on by checking that the clock is illuminated.

### Steam is coming from the oven

When cooking foods with high water content (e.g. oven fries) there may be some steam visible at the rear grille.

Take care when opening the oven door, as there may be a momentary puff of steam when the oven door is opened. Stand well back and allow any steam to disperse.

### What cleaning materials are recommended for the cooker?

See the 'Cleaning' section for recommended cleaning materials.

**⚠ Never use caustic or abrasive cleaners as these will damage the surface.**

### An oven fan is noisy

The note of the oven fan may change as the oven heats up – this is perfectly normal.

### If there is an installation problem and I don't get my original installer to come back to fix it who pays?

You do. Service organizations will charge for their call outs if they are correcting work carried out by your original installer. It is in your interest to track down your original installer.

### Power failure

In the event of a failure in the electrical supply, remember to reset the clock to make sure that the timed oven continues to operate.

### Poor performance

In the unlikely event that, after installation, the appliance does not perform correctly please contact your distributor (see "Service and Spares" on page 26).

### Food is cooking too slowly, too quickly, or burning

Cooking times may differ from your previous oven.

Check that you are using the recommended temperatures and shelf positions – see the oven cooking guide. The oven control settings and cooking times are intended to be used only as a guide.

Individual tastes may require the temperature to be altered either way, to get the results you want.

### The oven is not cooking evenly

**DO NOT** use a baking tray with dimensions larger than those specified in the section on 'General Oven Tips'.

If you are cooking a large item, be prepared to turn it round during cooking.

If two shelves are used, check that space has been left for the heat to circulate. When a baking tray is put into the oven, make sure that it is placed centrally on the shelf.

Check that the door seal is not damaged and that the door catch is adjusted so that the door is held firmly against the seal.

A dish of water when placed on the shelf should be the same depth all over. (For example, if it is deeper at the back, then the back of the cooker should be raised up or the front lowered.) If the cooker is not level, arrange for your supplier to level it for you.

### Oven not coming on

Is the power on? Is the clock illuminated? If not, there may be something wrong with the power supply.

Is the cooker supply on at the isolator switch?

Has the time of day been set?

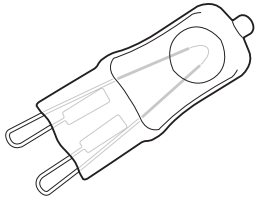
### The timed oven is not coming on when automatic cooking

Has the oven knob been left in the OFF position by mistake?

### Oven temperature getting hotter as the cooker gets older

If turning the temperature down using the oven control knob has not worked, or has only worked for a short time, then you may need a new thermostat. This should be fitted by a qualified service person.

**Fig. 9.1**



### Oven light is not working

The bulb has probably burnt out. You can buy a replacement bulb (which is not covered under the warranty) from a good electrical shop.

Ask for 40W - 230V halogen lamp (G9) (**Fig. 9.1**).

Turn off the power at the circuit breaker.

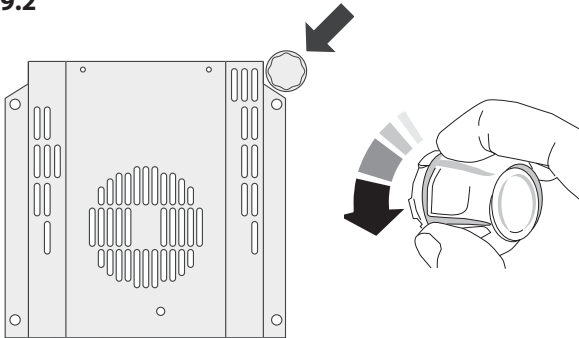
Before removing the existing bulb, turn off the power supply and make sure that the oven is cool. Open the oven door and remove the oven shelves.

Remove the bulb cover by turning it a quarter turn, counter-clockwise. It may be very stiff (**Fig. 9.2**).

Pull the existing bulb to remove it. When handling the replacement bulb, avoid touching the glass with your fingers, as oils from your hands can cause premature failure. Push, click in the replacement bulb.

Screw back the bulb cover. Turn on the circuit breaker and check that the bulb now lights.

**Fig. 9.2**



### The left-hand oven door is misaligned

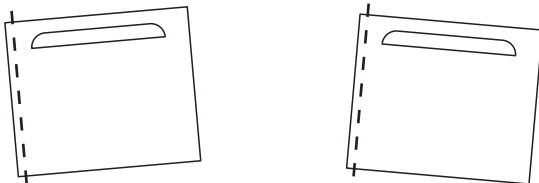
The bottom hinge of the left-hand oven door can be adjusted to alter its angle (**Fig. 9.3**).

Loosen the bottom hinge fixing screws and use the notch and a flat bladed screwdriver to move the position of the hinge to set the hinge position (**Fig. 9.4**).

Retighten the hinge screws.

**NOTE:** The tall oven door cannot be adjusted

**Fig. 9.3**



Effect of hinge adjustment – exaggerated for clarity

### The fascia gets hot when I use the oven or grill

The cooker is cooled by a fan. If the fascia becomes excessively hot when the cooker is in use then the cooling fan may have failed. Should this occur please contact your installer, a qualified repair engineer or Customer Service to arrange for its repair.

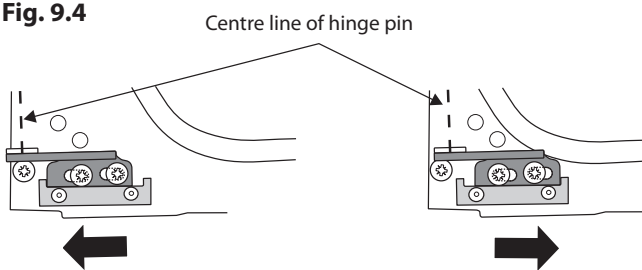
### The knobs get hot when I use the oven or the grill. Can I avoid this?

Yes, this is caused by heat rising from the oven or the grill, and heating them up. **DO NOT** leave the oven door open.

Make sure that the grill pan is pushed right back to the 'back stop' when grilling.

Always grill with the grill compartment door open.

**Fig. 9.4**



Oven door omitted for clarity

## INSTALLATION

Check the appliance is electrically safe when you have finished.

# 10. Service and Spares

Firstly, please complete the appliance details below and keep them safe for future reference – this information will enable us to accurately identify the particular appliance and help us to help you. Filling this in now will save time and inconvenience if you later have a problem with the appliance. It may also be of benefit to keep your purchase receipt with this leaflet. You may be required to produce the receipt to validate a warranty field visit.

|  |  |
|--|--|
| <b>Distributor's Name and Address</b>              | Andi-Co Australia Pty Ltd.<br>1 Stamford Road,<br>Oakleigh, VIC 3166<br><br>Customer Care<br>Tel: 1300 650 020<br>Email: service@andico.com.au |
| <b>Name of Appliance</b>                           |  |
| <b>Appliance Serial Number*</b>                    |  |
| <b>Fuel Type</b>                                   |  |
| <b>Date of Purchase</b>                            |  |
| <b>Installer's Name, Address and Telephone No.</b> |  |
| <b>Date of Installation</b>                        |  |

\* This information is on the appliance data badge.

## If You Have a Problem

In the unlikely event that you have a problem with your appliance, please refer to rest of this booklet, especially the problem solving section, first to check that you are using the appliance correctly.

If you are still having difficulty, contact Customer Care on 1300 650 020 or email service@andico.com.au.

## Please Note

For warranty information and how to request a remedy, please refer to the Warranty Statement at <https://www.andico.com.au/warranty/> or contact Customer Care.

## Out of Warranty

We recommend that our appliances are serviced regularly throughout their life to maintain the best performance and efficiency. The frequency of service will depend on usage – for normal usage once a year should suffice.

Service work should only be carried out by a suitably Authorised Person.

## Spare Parts

To maintain optimum and safe performance, we recommend that only genuine spare parts are used. Do not use re-conditioned or unauthorised controls. Contact Spare Parts on (03) 9569 7744 or email spares@andico.com.au

## INSTALLATION

Check the appliance is electrically safe and gas sound when you have finished.

# 11. Installation

## Safety Requirements and Regulations

**⚠ Please read the Before you start... chapter, before you begin any installation and maintenance work on this appliance.**

You must be aware of the following safety requirements & regulations.

**⚠ Before installation, make sure that the local distribution conditions (nature of the gas and gas pressure) and the adjustment of the appliance are compatible.**

**⚠ The appliance must be installed in accordance with the regulations in force and only in a well ventilated space.**

**⚠ Read the instructions before installing or using this appliance.**

The regulations and standards are as follows:

- AS/NZS 5601 – 'Gas Installations'
- AS/NZS 3000 - 'Wiring Rules'

In your own interest and that of safety, it is law that all gas appliances be installed by competent persons.

**⚠ Failure to install the appliance correctly could invalidate any warranty or liability claims and lead to prosecution.**

The cooker must be installed in accordance with all local gas fitting regulations, municipal building codes, electrical wiring regulations and any other relevant statutory regulations.

**⚠ WARNING!**  
**This appliance should not be used in marine craft, caravans or mobile homes.**

## Provision of Ventilation

This appliance is not connected to a combustion products evacuation device. Particular attention shall be given to the relevant requirements regarding ventilation.

The room containing the cooker should have an adequate air supply.

Install the cooker in a location to allow the complete combustion of gas, proper flueing and to maintain ambient temperature of the immediate surroundings at safe limits, under normal condition.

## Location of Cooker

The cooker may be installed in a kitchen/kitchen diner but **NOT** in a room containing a bath or shower.

**Note:** An appliance for use on Propane must not be installed in a room or internal space below ground level, e.g. in a basement.

## Conversion

All models are supplied set for use on Natural gas. A conversion kit for Propane gas is included with the appliance. See the instructions that are supplied with the conversion kit.

**⚠ We recommend an overpressure shut-off device or pressure relief valve be used in any LPG installation to prevent exposure of downstream fittings / appliances to excessive pressure (over 7.5kPa) in event of regulator failure.**

After converting the appliance, please attach the Gas Conversion sticker over the appropriate area of the data badge – this will identify the gas type for which the appliance is now set.

## INSTALLATION

Check the appliance is electrically safe and gas sound when you have finished.

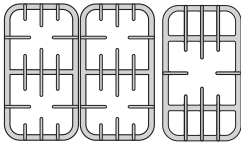
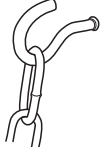
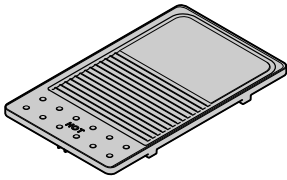
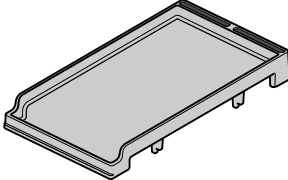
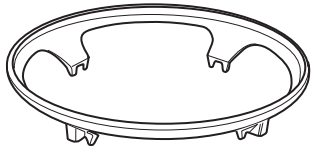
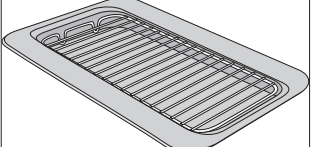
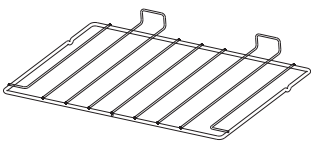
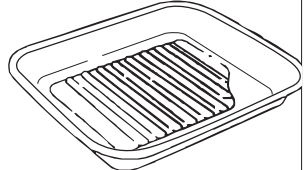
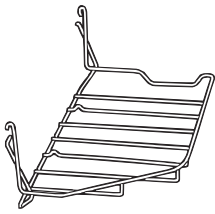

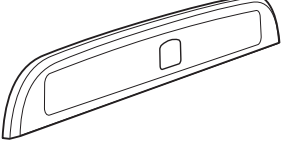
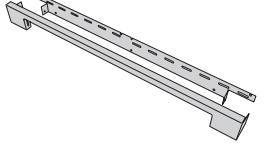
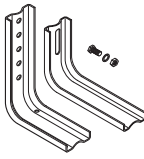
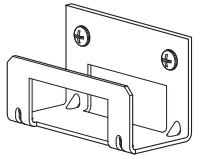
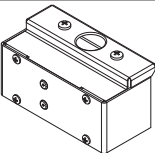
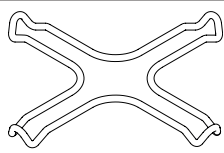
**You will need the following equipment to complete the cooker installation satisfactorily:**

- Flexible gas hose.
- Gas pressure tester/manometer.
- Multimeter: For electrical checks.

**You will also need the following tools:**

1. Electric drill
2. Masonry drill bit (only required if fitting the cooker on a stone or concrete floor)
3. Wall plugs (only required if fitting the cooker on a stone or concrete floor)
4. Steel tape measure
5. Cross head screwdriver
6. Flat head screwdriver
7. 4 mm & 3 mm Allen keys
8. Spirit level
9. Pencil
10. Adjustable spanner
11. 13 mm spanner or socket wrench
12. Screws for fitting the restraining chain

**Checking the Parts:**

|   |  |
|---|--|
| 3 pan supports<br>  | Restraining chain & hook<br>                |
| Sit-on Griddle plate<br>(Optional for Kitchener, supplied with Professional+ and Classic)<br> | Teppanyaki<br>(Optional for all models)<br> |
| Wok cradle (Optional for Kitchener and Classic, supplied with Professional+)<br>              | Grill pan & trivet<br>                      |
| Flat shelves<br>  | Roasting tin<br>                          |
| Handyrack<br>   | Tall oven shelves & shelf supports<br>    |
| Splashback (Classic only)<br>   | Plinth (2 piece shown)<br>                |
| Stability bracket<br>   | Stability location bracket<br>            |
| Conduit box<br>   | Small pan trivet<br>                      |



## INSTALLATION

Check the appliance is electrically safe and gas sound when you have finished.

### Positioning the Cooker

The diagram (Fig. 11.1) shows the minimum recommended distance from the cooker to nearby surfaces as given in AS/NZS 5601.

Where the appliance is installed next to cabinetry, the cabinet material must be capable of withstanding 70°C. If this appliance is installed near vinyl wrapped surfaces, use an installation kit available from the vinyl-wrap supplier. Falcon cannot accept any responsibility for damage caused due to installation into cabinets with low temperature tolerances.

\*Any splashback must be fitted in accordance with the manufacturers instructions. Allowance should be made for the additional height of the flue trim, which is fitted to the cooker hob.

#### 1. Overhead - Measurement A

The minimum height of any surface above the cooker is 650 mm above the hotplate.

Cookerhoods and exhaust fans shall be installed in accordance with the manufacturer's instructions. However, in no case shall the clearance between the highest part of the hob of the cooking appliance and a cookerhood be less than 650 mm or, for an overhead exhaust fan, 750 mm.

#### 2. Side Clearances - Measurements B & C

Where **B**, measured from the periphery of the nearest burner to any vertical combustible surface, or vertical combustible surface covered with toughened glass or sheet metal, is less than 200 mm, the surface shall be protected to make sure that the combustible surface does not exceed 65 °C above ambient\*. Even with the surface protected, the dimension **B** should not be less than 135 mm above hotplate level.

\*The fixing of 5mm thick ceramic tiles to the surface, or attaching fire resistant material to the surface and covering with sheet metal with a minimum thickness of 0.4mm to a height C of not less than 150 mm above the hotplate, should satisfy this requirement.

#### 3. Side Clearances - Measurement D & E

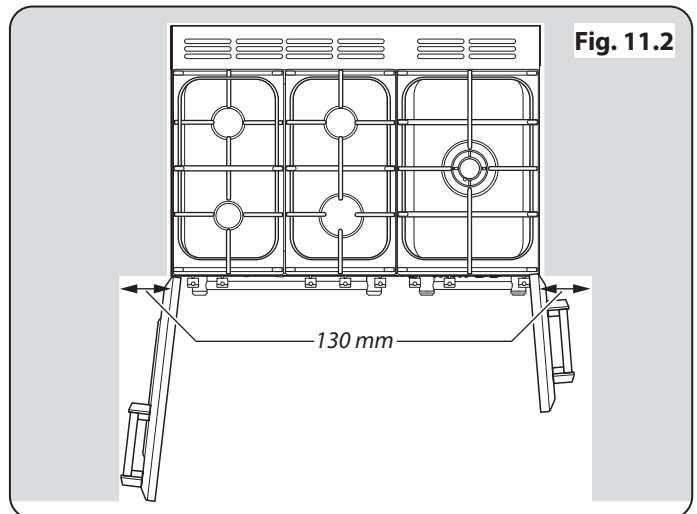
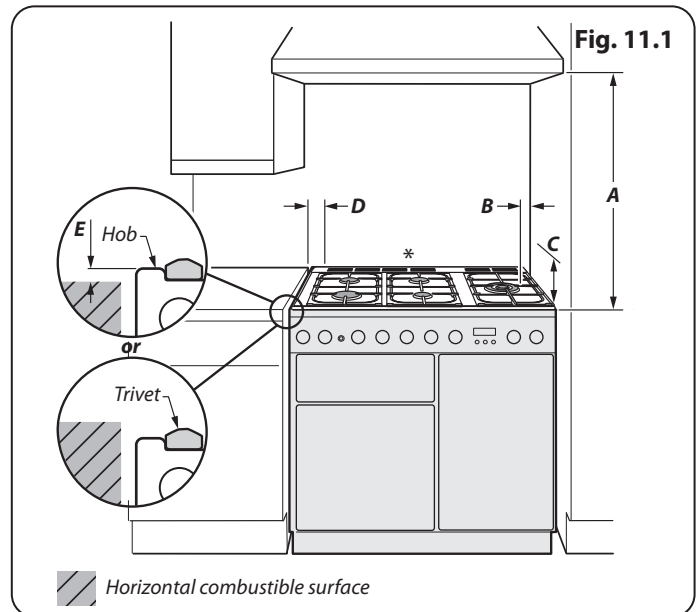
Where **D**, the distance from the periphery of the nearest burner to a horizontal combustible surface is less than 200 mm, then **E** shall be 10 mm or more, or the horizontal surface shall be above the trivet. See insets above.

If the cooker is near a corner of the kitchen, a clearance of 130 mm is required to allow the oven doors to open (Fig. 11.2). The actual opening of the doors is slightly less, but this allows for some protection of your hand as you open the door.

#### DO NOT place the cooker on a base.

For safety reasons, curtains, must not be fitted immediately behind the cooker.

We recommend a gap of 910 mm between units to allow for moving the cooker. **Do not** box the cooker in – it must still be possible to move the cooker in and out for cleaning and servicing.



## INSTALLATION

Check the appliance is electrically safe and gas sound when you have finished.

Fig. 11.3

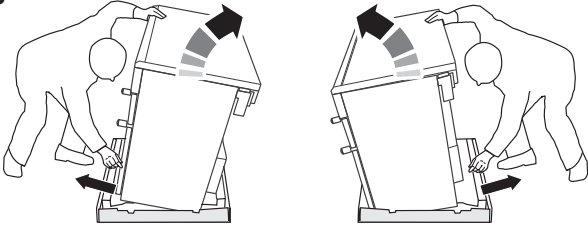


Fig. 11.4

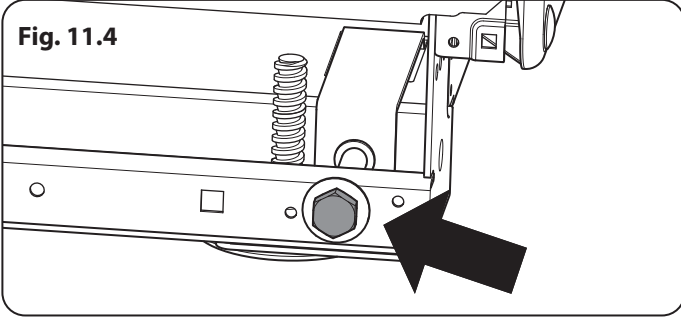
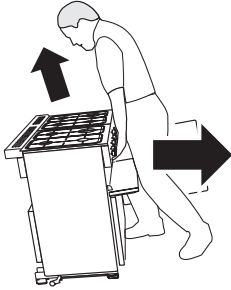


Fig. 11.5



### Moving the Cooker

**⚠ On no account try and move the cooker while it is plugged into the electricity supply.**

**⚠ The cooker is very heavy, so take great care.**

We recommend that two people manoeuvre the cooker. Make sure that the floor covering is firmly fixed, or removed, to prevent it being disturbed when moving the cooker around.

To help you, there are two levelling rollers at the back, and two screw-down levelling feet at the front.

Remove the polystyrene base pack. From the front, tilt the cooker backwards and remove the front half of the polystyrene base (**Fig. 11.3**). Repeat from the back and remove the rear half of the polystyrene base.

### Lowering the Two Rear Rollers

To adjust the height of the rear of the cooker, first fit a 13 mm spanner or socket wrench onto the hexagonal adjusting nut (**Fig. 11.4**). Rotate the nut – clockwise to raise – counter-clockwise to lower.

Make 10 complete (360°) turns clockwise.

Make sure you lower BOTH REAR ROLLERS.

### Completing the Move

Unfold the rear edge of the cardboard base tray. Open the grill door and right-hand oven door so that you can get a good grip on the bottom of the fascia panel as you move the oven (**Fig. 11.5**).

Carefully push the cooker backwards off the base tray. Remove the base tray.

Position the cooker close to its final position, leaving just enough space to get behind it.

**⚠ DO NOT use the door handles or control knobs to manoeuvre the cooker.**

## INSTALLATION

Check the appliance is electrically safe and gas sound when you have finished.

### Levelling

You are recommended to use a spirit level on a shelf in one of the ovens to check for level.

Place the cooker in its intended position taking care not to twist it within the gap between the kitchen units as damage may occur to the cooker or the units.

The front feet and rear rollers can be adjusted to level the cooker.

To adjust the height of the rear of the cooker use a 13 mm spanner or socket wrench to turn the adjusting nuts at the front bottom corners of the cooker.

To set the front, turn the feet bases to raise or lower.

### Fitting the Stability Bracket and Chain

**⚠ A stability bracket and chain MUST be fitted when the cooker is connected to a flexible gas supply.**

Unless properly installed, the cooker could be tipped by leaning on the door. Injury might result from spilled hot liquids or from the cooker itself.

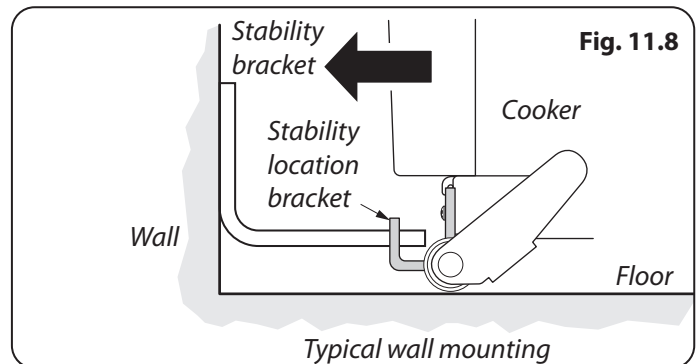
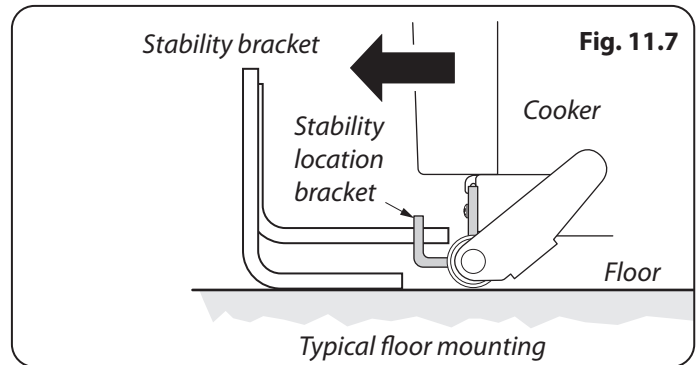
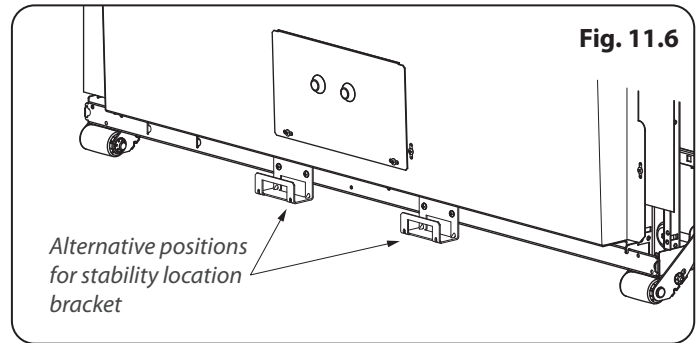
**⚠ IMPORTANT: The cooker must be set to the correct height and levelled before the stability bracket is installed.**

### Fitting a Stability Bracket

When fitting a stability bracket ((**Fig. 11.6**) please refer to the instructions supplied with the bracket for further details on fitting.

When fitting a stability bracket (**Fig. 11.7** and **Fig. 11.8**) adjust the bracket to give the smallest practicable clearance between the bracket and the engagement slot in the rear of the cooker.

Fit the bracket so that it engages as far as possible over the chassis of the cooker.



Caution, possibility of tilting

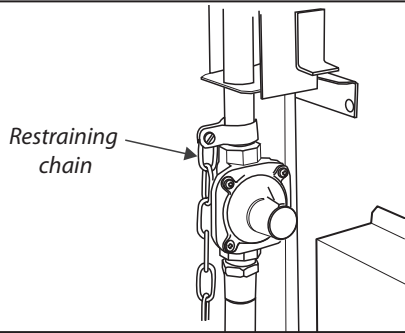


Anti-tip restraints

## INSTALLATION

Check the appliance is electrically safe and gas sound when you have finished.

Fig. 11.9



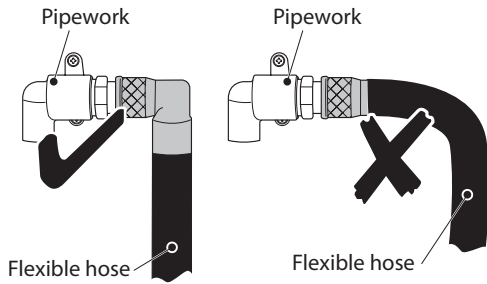
### Fitting the Restraining Chain

The restraining chain **MUST** be fitted.

The length of chain between the appliance and the wall fixing should prevent strain on the gas and electricity connections, but still allow access to unhook the chain when the cooker is pulled forward.

Measure the length of chain required. Use the clamp supplied to clamp onto the gas pipe (Fig. 11.9). Fix the supplied hook securely to the wall.

Fig. 11.10



### Gas Connection

Must be in accordance with the relevant standards.

The gas supply needs to terminate with a down-facing threaded fitting 1/2" connection.

The inlet connector is located just below the hotplate level at the rear of the cooker.

Because the height of the cooker can be adjusted and each connection is different it is difficult to give precise dimensions. Ideally, the house supply connection should be in the shaded area 'A' (Fig. 11.11).

Means of isolation must be provided at the supply point by either an approved quick-connect device or a Type 1 manual shut-off valve.

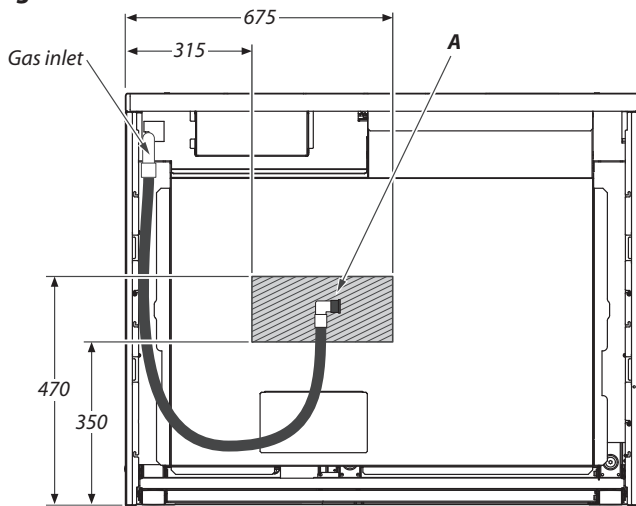
The hose should be fitted so that both inlet and outlet connections are vertical so that the hose hangs downwards in a 'U' shape (Fig. 11.11).

A flexible connection is supplied with the cooker. If it is necessary to use another hose it must be to AS 1869 Class B and be suitable for your gas type.

If in doubt contact your supplier. Screw connect the threaded end of the hose into the gas inlet.

After completing the gas connection, check the cooker is gas sound with a pressure test. When checking for gas leaks do not use washing up liquid – this can corrode. Use a product specifically manufactured for leak detection.

Fig. 11.11



All dimensions in millimetres

A – Position of gas supply connector

### Natural Gas

The adjustable spring loaded gas pressure regulator is present to give a nominal pressure of 1 kPa on Natural gas. Connect to the Rp 1/2 inlet on the underside of the pressure regulator.

### Propane

This cooker is supplied ready for use on Natural gas. A conversion kit for Propane as is supplied with the cooker – see the 'Conversion to Propane Gas' section.

## INSTALLATION

Check the appliance is electrically safe and gas sound when you have finished.

### Pressure Testing

The pressure test point is accessible on the inlet pipe at the rear. Remove the test nipple screw and fit a pressure gauge to the test point. Turn on and light two of the hotplate burners.

For Natural Gas cookers the pressure should be between 0.95 kPa and 1.0 kPa.

For Propane X cookers the pressure should be 2.54 kPa.

### Electrical Connection

This appliance must be installed by a qualified electrician to comply with with current AS/NZS 3000 Wiring Rules and regulations in force.

Make sure that the mains characteristics (voltage, nominal, power, etc.) match the ratings indicated on the data plate affixed to the cooker.

The cooker is preset for a single-phase earthed electrical connection. It is essential to install a multi-pole circuit breaker that completely disconnects the appliance from the mains, with a minimum contact break distance of 3 mm.

#### **⚠ WARNING: THIS APPLIANCE MUST BE EARTHED.**

The appliance must be connected to an efficient earthing circuit. If the electricity network is not equipped with an earth connection, then it must be installed separately in compliance with local regulations.

Earthing is a safety measure required by law, and must be performed with particular care by a qualified technician, who must also check that the electricity supply characteristics are correct.

The total electrical load of the appliance is approximately 7.4 kW. The cable size used should be suitable for this load and comply with all local requirements.

Access to the mains terminal is gained by removing the electrical terminal cover box on the back panel. Connect the mains cable to the correct terminals for your electrical supply type (**Fig. 11.12** and **Fig. 11.13**). Check that the links are correctly fitted and that the terminal screws are tight. Secure the mains cable using the cable clamp.

An isolation switch shall be provided and mounted near the cooker, in a readily accessible position, in compliance with AS/NZS 3000 and/or AS/NZS 5601 as applicable for the appliance configuration.

**Note:** The marking for the rated current of the fuse protecting a socket should be placed on or near the socket outlet.

#### Current Operated Earth Leakage Breakers

The combined use of your cooker and other domestic appliances may casue nuisance tripping, so we recommend that the cooker is protected on an individual RCD (Residual Current Device) or RCBO (Residual Current Breaker with Overload)

**IF IN DOUBT, PLEASE CONTACT A SUITABLY QUALIFIED ELECTRICIAN.**

Fig. 11.12

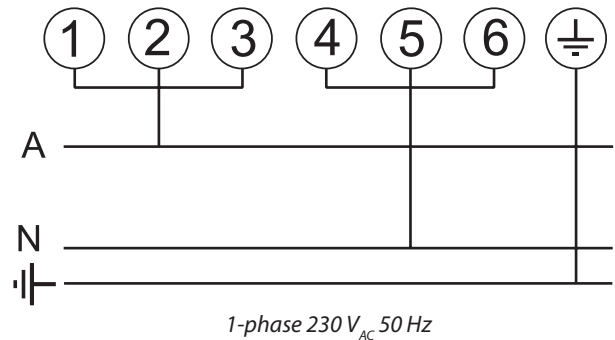
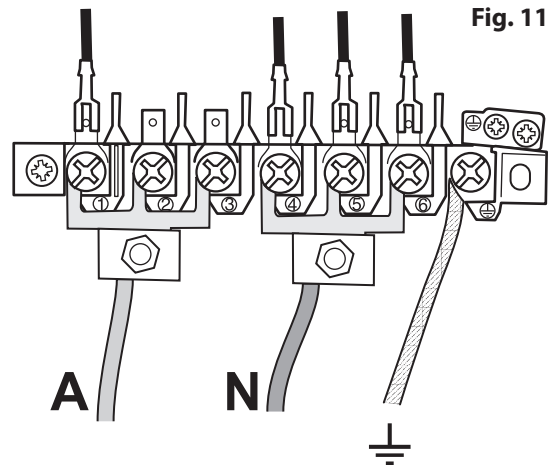


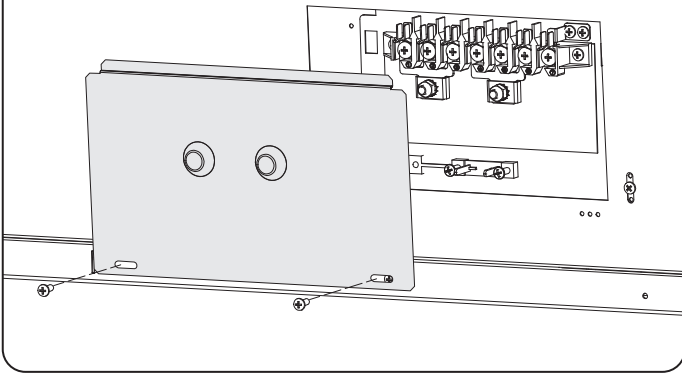
Fig. 11.13



## INSTALLATION

Check the appliance is electrically safe and gas sound when you have finished.

Fig. 11.14



## Fixed Wiring

### ⚠ Disconnect from the mains supply.

For connection to fixed wiring, i.e. flexible conduit, remove the electrical terminal cover box on the back panel (Fig. 11.14).

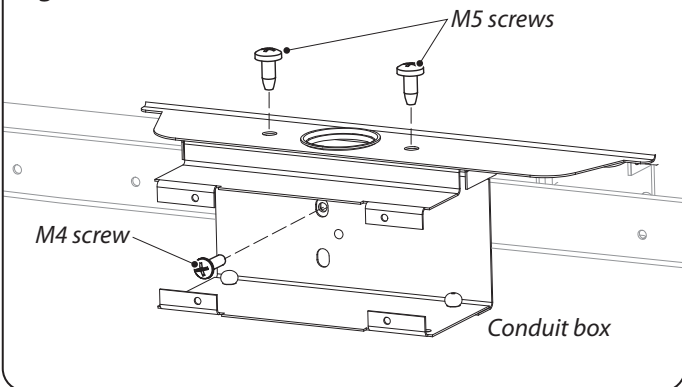
Fit the conduit box to the cooker using the two M5 screw fittings located at the top of the box. Remove the M4 screw from the base, and fix to the cooker, via the fitting through the back of the conduit box (Fig. 11.15).

The conduit box cover is reversible. Fit the reducer plate if required (Fig. 11.16). Feed the cable through the conduit box and secure in place with the cable clamp.

Connect the mains cable to the correct terminals for your electrical supply type (Fig. 11.17). Check that the links are correctly fitted and that the terminal screws are tight.

Fit the cover to the conduit box.

Fig. 11.15

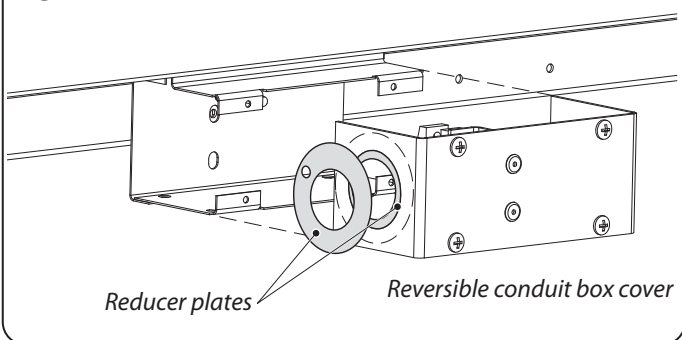


## Final Fitting and Checks

After completing installation check operation of the appliance.

**Note:** The clock must be set before the ovens will work. See 'The Clock' section for instructions on setting the time of day.

Fig. 11.16



## Hotplate Check

Check each burner in turn (refer to the "Hotplate Burners" page 7 of the instructions).

## Grill Check

Open the grill compartment door. Turn on the grill control and check that the grill heats up.

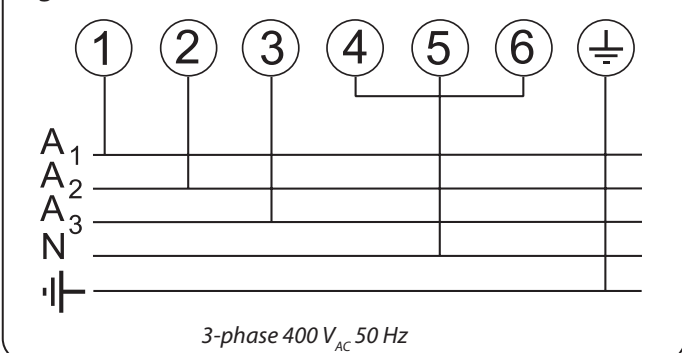
## Oven Check

Turn on the oven and check that it starts to heat up. Check that the oven lights are working.

**Note:** The oven light bulb is not included in the guarantee.

Turn off the oven.

Fig. 11.17



## INSTALLATION

Check the appliance is electrically safe and gas sound when you have finished.

### Fitting the Handles and Handrail

Remove the 4 mm Allen screws from the doors (**Fig. 11.18**). Fit the door handles and secure using the 4 mm screws.

**⚠ The handles should be above the fixings.**

Remove the 4 mm Allen screws from the top corners of the fascia (**Fig. 11.19**). Fit the handrail in position and secure using the 4 mm screws.

### Fitting the 1-piece Plinth (Professional+)

Loosen the 3 screws along the front bottom edge of the cooker. Hook the central keyhole over the central screw. Twist and fit each end keyhole over their respective screws. Tighten the fixing screws (**Fig. 11.20**).

### Fitting the 2-piece Plinth (Classic & Kitchener)

Fit the inner plinth to the bottom front of the cooker using the 4 screws provided (**Fig. 11.21**).

Fit the outer plinth (2 screws, 1 each end) to the inner plinth.

The height of the outer plinth can be adjusted by sliding it up or down via the slotted hole (**Fig. 11.22**).

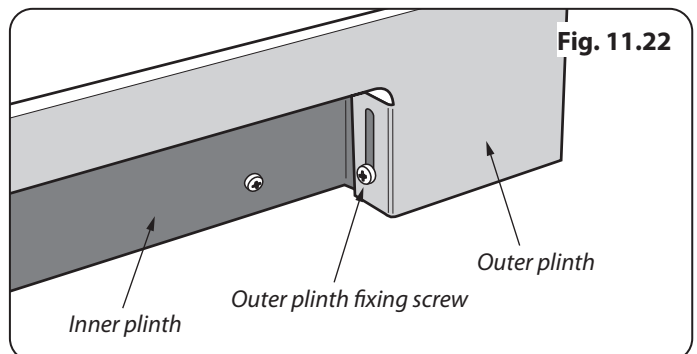
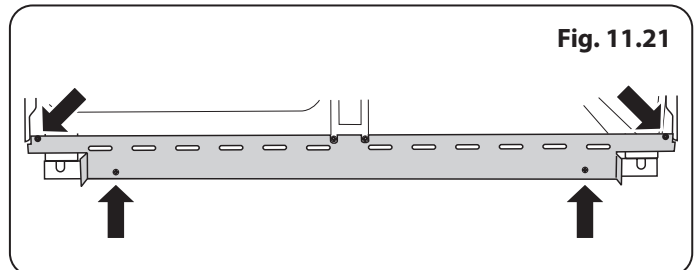
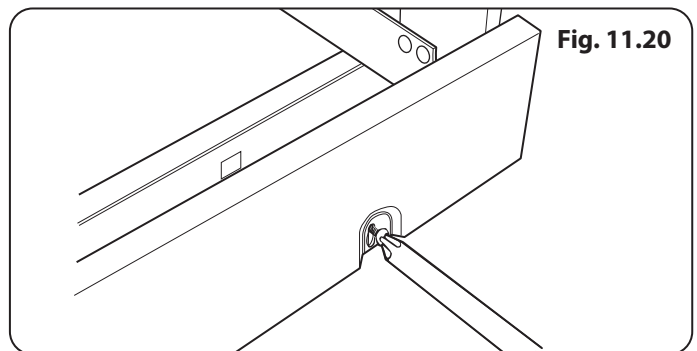
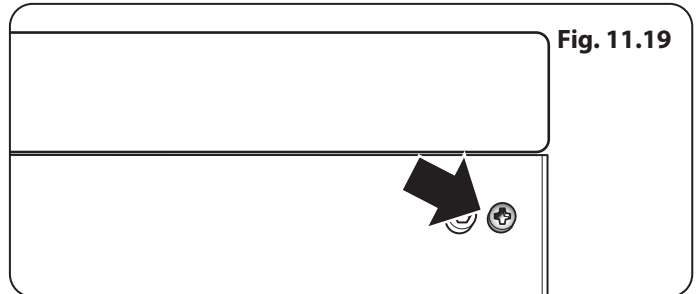
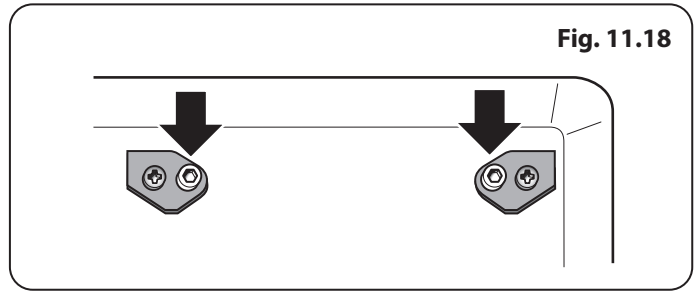
### Fitting the Splashback

Position the splashback on the rear of the hotplate and secure with the screws supplied.

### Customer Care

**Installer:** Please complete your details in this Guide, inform the user how to operate the cooker and hand over the instructions.

Thank you.



## 12. Servicing

- ⚠ **BEFORE SERVICING ANY GAS CARRYING COMPONENTS TURN OFF THE GAS SUPPLY**
- ⚠ **Check the appliance is gas sound after completion of service. When checking for gas leaks do not use washing up liquid – this can corrode. Use a product specifically manufactured for leak detection.**
- ⚠ **DO NOT use reconditioned or unauthorised gas controls.**
- ⚠ **Disconnect from the electricity supply before servicing, particularly before removing any of the following: control panel, side panels, hotplate tray or any electrical components or covers.**
- ⚠ **Before electrical reconnection, check that the appliance is electrically safe.**

### 1 Panels

#### 1.1 To Remove the Control Panel

- ⚠ **DISCONNECT FROM THE ELECTRICITY SUPPLY.**

##### Classic – Removing the Control Panel

Remove the handrail. Now remove the 2 cross-headed screws hidden behind the handrail end brackets (**Fig. 12.1**).

Pull off all the control knobs and remove the fixing screws underneath the control panel.

Lift the control panel and pull forwards, taking care not to damage or strain the wiring.

##### Professional + / Kitchener – Removing the Control Panel

Pull off all the control knobs.

Open the grill and right-hand oven doors and remove the fixing screws underneath the control panel.

The control panel should drop down slightly. It is held at the top by 2 holes in the top edge, 1 at each end, that locate on tags on the inner panel (**Fig. 12.2**). Clear the control panel holes from the inner panel and pull the control panel forward.

Disconnect the wiring from the rear.

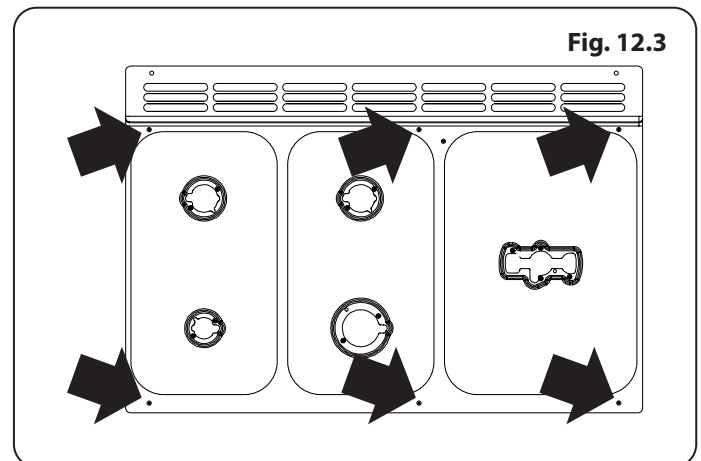
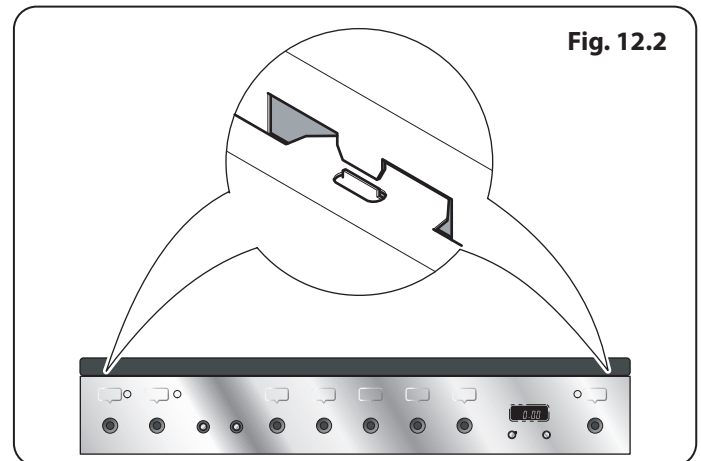
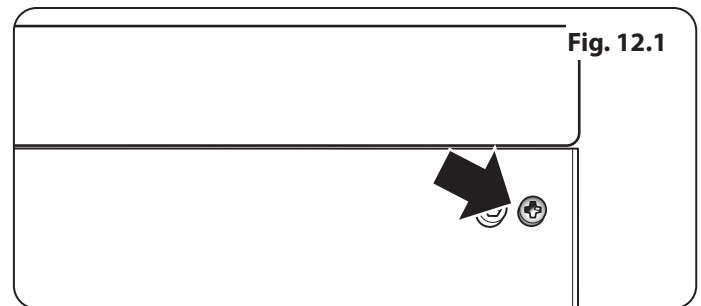
Reassemble in the reverse order. When replacing the leads refer to the wiring diagram. Check the operation of the timer.

#### 1.2 To Remove the Side Panels

- ⚠ **DISCONNECT FROM THE ELECTRICITY SUPPLY.**

Remove the control panel (**see 1.1**). Pull the cooker forward. Remove the 4 retaining screws for each panel (1 at the front base, 1 on the top and 2 at the rear).

Reassemble in reverse order.





## 2 Hotplate

**⚠ BEFORE SERVICING ANY GAS CARRYING COMPONENTS, TURN OFF THE GAS SUPPLY.**

### 2.1 To Remove the Hotplate

Pull the cooker forward to gain access to the rear.

Remove the pan supports, hotplate burner caps and tops. Remove the screws holding the hotplate burners to the hotplate. Remove the screws holding the hotplate to the chassis (**Fig. 12.3**).

Taking care not to damage the burner electrodes, carefully lift the hotplate, from underneath disconnect the earth lead at the right hand rear from the rear cross member and withdraw the hotplate.

Reassemble in reverse order ensuring that the leads are reconnected. Take care not to damage the ignition electrodes of the burners.

It is important that the rear earthing leads are replaced when the fixing screws are refitted as they form part of the cooker earthing.

Check for correct burner operation.

### 2.2 To Replace the Hotplate Control Taps

**⚠ DISCONNECT FROM THE ELECTRICITY SUPPLY.**

**⚠ BEFORE SERVICING ANY GAS CARRYING COMPONENTS, TURN OFF THE GAS SUPPLY.**

Remove the control panel and hotplate (**see 1.1 & 2.1**). Unplug the FSD lead from the rear of the tap. Undo the compression fitting at the rear of the tap and remove the fixings that secure the tap to the gas rail. Disconnect the ignition switch wiring.

Remove the tap. Remove and discard the gasket seal. Fit the new gasket seal to the replacement tap. Reassemble in reverse order. Check that the appliance is gas sound. Verify the hotplate ignition.

### 2.3 To Change a Hotplate Burner Injector

Remove the burner cap and head. Remove the old injector.

Fit the new injector. Reassemble in reverse order. Check the appliance is gas sound.

### 2.4 To Replace a Hotplate Burner Electrode

**⚠ DISCONNECT FROM THE ELECTRICITY SUPPLY.**

Lift off pan supports and remove the burner cap. Remove the screw holding the electrode. Pull the electrode vertically up sufficiently to grip the lead between thumb and forefinger.

Pull off the electrode, but keep hold of the lead. Fit the new electrode to the lead. Fix the electrode in the burner with screw. Replace the burner cap.

Check the burner ignition. Replace the pan supports.

### 2.5 To Replace a Hotplate Burner

**⚠ DISCONNECT FROM THE ELECTRICITY SUPPLY.**

Remove the hotplate tray (**see 2.1**). The burners (except the right-hand wok burner) are mounted on support struts. For these burners, disconnect the burner feed pipes at the burner. Remove the screws at the front and rear holding the support struts. Lift the strut and burners clear. The burners are fixed to the support struts with 2 screws. Remove the appropriate burner and fit the new one.

Reassemble in reverse order. Check that the burner operation is satisfactory.

#### Right-hand Wok Burner

Disconnect the burner feed pipe at the burner.

Fit the new one and reassemble in reverse order. Check that the burner operation is satisfactory.

### 2.6 To Change a Hotplate Burner Thermocouple

**⚠ DISCONNECT FROM THE ELECTRICITY SUPPLY.**

Remove the control panel and hotplate (**see 1.1 & 2.1**).

Unplug the FSD lead from the rear of the tap.

The thermocouple sits in a hole that has a slot at one side. Ensure that the thermocouple is cool. Turn the thermocouple so that the earth lead (no sleeve) is in line with the slot. Lift the thermocouple clear of the hole.

Reassemble in reverse order.

## 3 Controls

### 3.1. To Replace the Ignition or Light Switch

#### **DISCONNECT FROM THE ELECTRICITY SUPPLY.**

Remove the control panel (see 1.1).

Note: The old switch may be destroyed during removal. Remove the old switch from its bezel by gripping the switch body behind the control panel and twisting sharply. Remove the switch bezel by folding back the locking wings and pushing forward.

To fit the new bezel to the control panel: first line up the raised key on its body with the cut-out in the control panel and push it in from the front.

Assemble the new switch to the bezel by lining up the key sections and pushing home. Fit the new button by pushing in from the front.

Replace the control panel in the reverse order and test for correct operation.

### 3.2 To Replace the Clock

#### **DISCONNECT FROM THE ELECTRICITY SUPPLY.**

Remove the control panel (see 1.1). Pull off the timer control buttons.

Undo the timer fixing screws and remove the timer/mounting bracket assembly from the control panel.

Remove the timer from its mounting bracket by depressing the plastic lugs on the timer case, and at the same time pulling the unit forward.

Reassemble in reverse order. When replacing the leads, refer to the wiring diagram. Check the operation of the timer.

### 3.3 To Change the Ignition Generator

#### **DISCONNECT FROM THE ELECTRICITY SUPPLY.**

Pull the cooker forwards to gain access to the cover box at the rear of the cooker. Remove the screws securing the cover and lift clear. Pull off all the leads to the generator noting their positions. Slacken the 2 screws holding generator to cooker and remove the generator.

Fit the new generator to the cooker and replace the leads. Refer to the wiring diagram and reassemble in reverse order. Check ignition performance.

## 4 Grill

### 4.1 To Replace the Grill Controller

#### **DISCONNECT FROM THE ELECTRICITY SUPPLY.**

Remove the control panel and hotplate (see 1.1 & 2.1). Disconnect the wiring from controller. Remove the 2 screws holding the controller to the mounting panel.

Fit the new controller and reassemble in the reverse order. Check for correct operation.

### 4.2 To Replace the Grill Element

#### **DISCONNECT FROM THE ELECTRICITY SUPPLY.**

Remove the grill pan from the grill chamber. From inside the grill compartment, undo the 2 screws and washers and remove the enamelled front shield from the grill roof. Remove 2 screws and washers securing the grill element front support. Remove the screws from the grill elements.

Carefully lift the elements out and disconnect the leads from the element terminals, noting their position.

If it is not possible to disconnect the leads in this way, pull cooker forwards to gain access to the rear.

Remove the screws securing the electric cover to the back sheet, and then remove cover and disconnect the terminals from the rear.

Fit the new elements and reassemble in reverse order. Check the operation of the grill.

## 5 Ovens

### 5.1 To Remove the Oven Inner Back

#### **Main Oven**

Open the main oven door. Remove the 4 screws and washers securing the inner back to the back of the oven (Fig. 12.4). Carefully lift away the inner back.

Reassemble in reverse order, making sure that you fully tighten the 4 screws and washers.

#### **Tall Oven**

Open the tall oven door and remove the 2 screws and washers securing the inner back to the back of the oven. Carefully lift away the inner back.

Reassemble in reverse order.

Check the door for correct operation.

### 5.2 To Change the Oven Fan

#### **DISCONNECT FROM THE ELECTRICITY SUPPLY.**

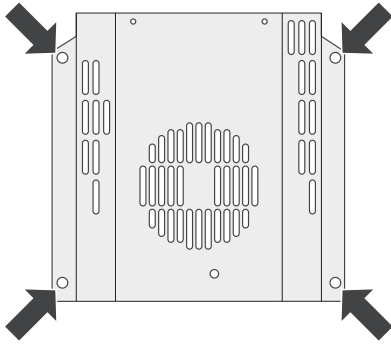
Pull the cooker forward to gain access to the rear. Remove the screws securing the electric cover to the back sheet and remove the cover. Disconnect the 3 terminals connected to the fan, noting their position.

Remove the oven inner back (see 5.1). Hold the fan blade and remove the centre nut (left-hand thread), 2 brass washers, fan blade and circlip. Unscrew the fan retaining nuts and washers (3 off each) and lift the fan away from the rear of the cooker.

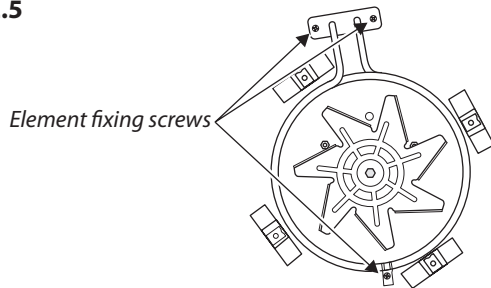
Fit the new fan and reassemble in reverse order. Check the operation of the oven.

**WARNING – SERVICING TO BE CARRIED OUT ONLY BY AN AUTHORISED PERSON**  
Disconnect from electricity before servicing. Check appliance is safe when you have finished.

**Fig. 12.4**



**Fig. 12.5**



### 5.3 To Change the Oven Element

#### **⚠ DISCONNECT FROM THE ELECTRICITY SUPPLY.**

Remove the oven inner back (see 5.1).

Remove the 2 screws from the top of the element and the 1 from the bottom of the element (Fig. 12.5).

Carefully lift the element out, disconnecting the terminals connected to the element (noting their positions).

If it is not possible to disconnect the leads in this way, pull the cooker forward to gain access to the rear, remove the screws securing the electric cover to the back sheet, remove the cover and disconnect the terminals from the rear.

Fit the new element and reassemble in reverse order. Check the operation of the oven.

### 5.4 To Change an Oven Element Thermal Cut-out

#### **⚠ DISCONNECT FROM THE ELECTRICITY SUPPLY.**

Pull the cooker forwards to gain access to the cover box. Undo the cover screws and lift clear. The cut-out is located on the earth plate beside the oven element connections. Disconnect the cut-out wiring. Undo the fixings that secure the cut-out to the earth plate and remove.

Fit the replacement control and re-assemble in reverse order.

### 5.5 To Replace an Oven Thermostat

#### **⚠ DISCONNECT FROM THE ELECTRICITY SUPPLY.**

Remove the control panel and hotplate (see 1.1 & 2.1). Open the oven door and remove the oven furniture.

#### **Main Oven**

Remove the thermostat phial cover (2 screws). Unclip the thermostat phial from the clips in the oven back. For the left-hand oven, pull cooker forward to gain access to the cover box at the rear of the cooker. Remove the 4 screws securing the cover and lift clear.

Feed the thermostat capillary out of the oven. Disconnect the wiring from the thermostat. Remove 2 screws holding thermostat to mounting panel. Fit new thermostat and reassemble in reverse order. Make sure that the phial is clipped to the oven back with the phial centrally positioned between the clips.

Check the operation of the thermostat.

#### **Tall Oven**

Remove the oven inner back fixing screws and remove the inner back. Unclip the thermostat phial from the clips on the oven back. From the top pull the thermostat capillary up and out. Disconnect the leads and remove the thermostat and phial. Reassemble in reverse order.

Check the operation of thermostat.

**WARNING – SERVICING TO BE CARRIED OUT ONLY BY AN AUTHORISED PERSON**  
 Disconnect from electricity before servicing. Check appliance is safe when you have finished.

## 6 Doors

### 6.1 To Remove the Grill Door

Remove the left-hand side panel (see 1.2). Remove the plinth (4 screws) and the central vertical cover (5 screws). Remove the 2 countersunk screws (1 each side) securing the grill hinge arms to the front of the grill chamber.

Note: The arms are spring tensioned. Carefully remove the grill door. Retain the gaskets.

Reassemble in reverse order, making sure that the gasket is fitted between the hinge arm and the front of the grill chamber.

### 6.2 To Replace the Main Oven Door

Open the oven door. Support the door and loosen the 2 screws securing the upper hinge and gasket to the cooker front (Fig.9-6).

**⚠ The door is heavy, so take care.**

Support the door and remove the screw nearest the hinge pin (Fig. 12.7). Swing the hinge up and away from the door hinge pin. Lift the door away from the lower hinge and remove.

Reassemble in reverse order.

### 6.3 To Adjust the Main Oven Door Angle

The bottom hinge of the main oven door can be adjusted to alter the angle of the door (Fig. 12.8). Loosen the bottom hinge fixing screws and use the notch and a flat bladed screwdriver to move the position of the hinge to set the hinge position (Fig. 12.9).

Retighten the hinge screws.

### 6.4 To Replace the Main Oven Door Outer Panel

Move the cooker forwards to gain access to the sides.

Open the main oven door slightly and remove the 4 front panel fixing screws from the door sides (2 each side), (Fig. 12.10). Carefully lift off the outer door panel.

Remove the door handle from the panel by unscrewing the 2 retaining nuts.

Fit the door handle to the new panel.

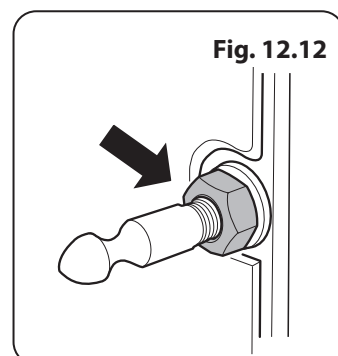
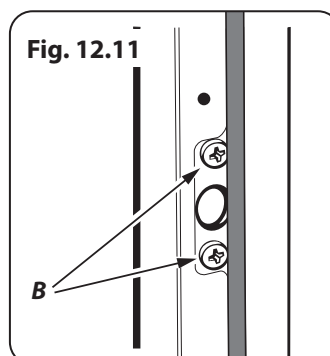
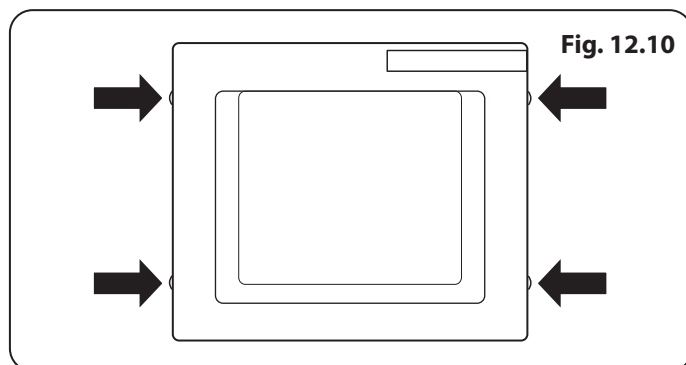
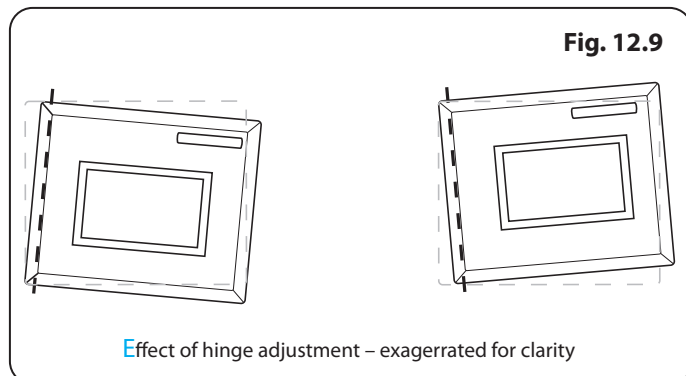
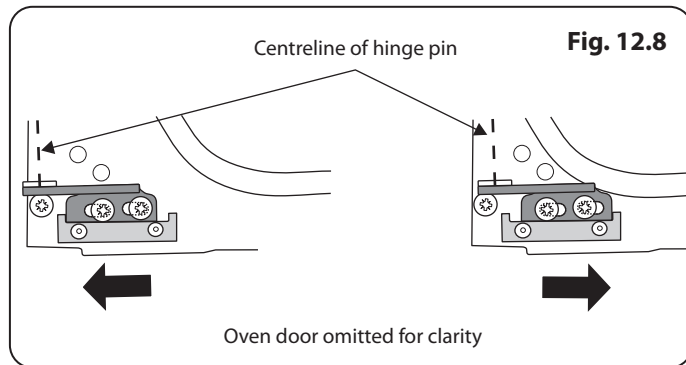
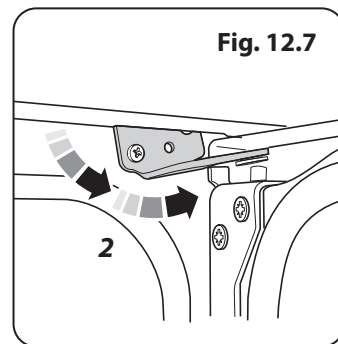
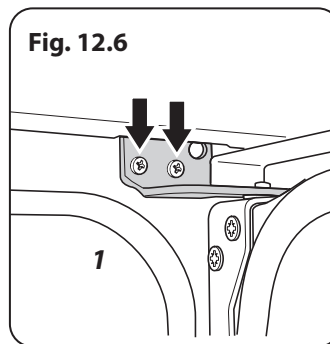
Fit the panel to the door. Reassemble in the reverse order.

### 6.5 To Change the Main Oven Door Latch

Remove the main outer door panel (see 6.4). Remove screws 'B', which hold the latch assembly to the inner door panel (Fig. 12.11). Fit the new catch and reassemble in reverse order. Check the door operation.

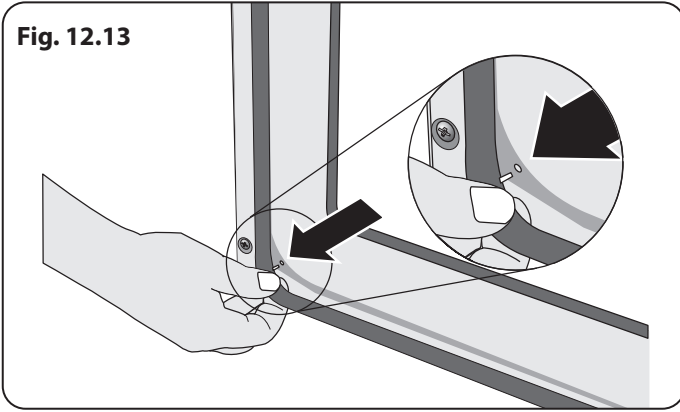
### 6.6 To Adjust the Main Oven Door Catch Keep

Open the main oven door, slacken off the locknut at the base of the keep, and screw in or out as required until the required fit is obtained. Retighten the locking nut (Fig. 12.12).



**WARNING – SERVICING TO BE CARRIED OUT ONLY BY AN AUTHORISED PERSON**  
Disconnect from electricity before servicing. Check appliance is safe when you have finished.

**Fig. 12.13**



### **6.7 To Remove the Tall Oven Door**

Open the oven door. Supporting the door, remove the 2 screws securing the upper hinge and packing to the cooker front. Remove the door from the lower hinge by lifting slightly and moving outwards.

Reassemble in reverse order.

### **6.8 To Replace the Tall Oven Door Outer Panel**

Remove the tall oven door (**see 6.7**). Lay the door face down on a suitable surface and remove the 2 screws from bottom edge of door and the 2 screws from the inside face of the door.

Remove the outer door panel. Remove the door handle by unscrewing the 2 screws.

Remove the 2 cross-headed screws holding the door handle fixing bracket to the door panel. Fit the door handle bracket and the door handle to the new panel.

Fit the panel to the door and reassemble in reverse order.

### **6.9 To Replace the Tall Oven Door Magnetic Latch**

Remove the control panel (**see 1.1**). Remove the plinth (3 screws) and the central vertical cover (5 screws). Lever the retaining clip off the magnet unit.

Fit the new unit and retaining clip, and reassemble in reverse order. Check the door operation.

### **6.10 To Change an Oven Door Seal**

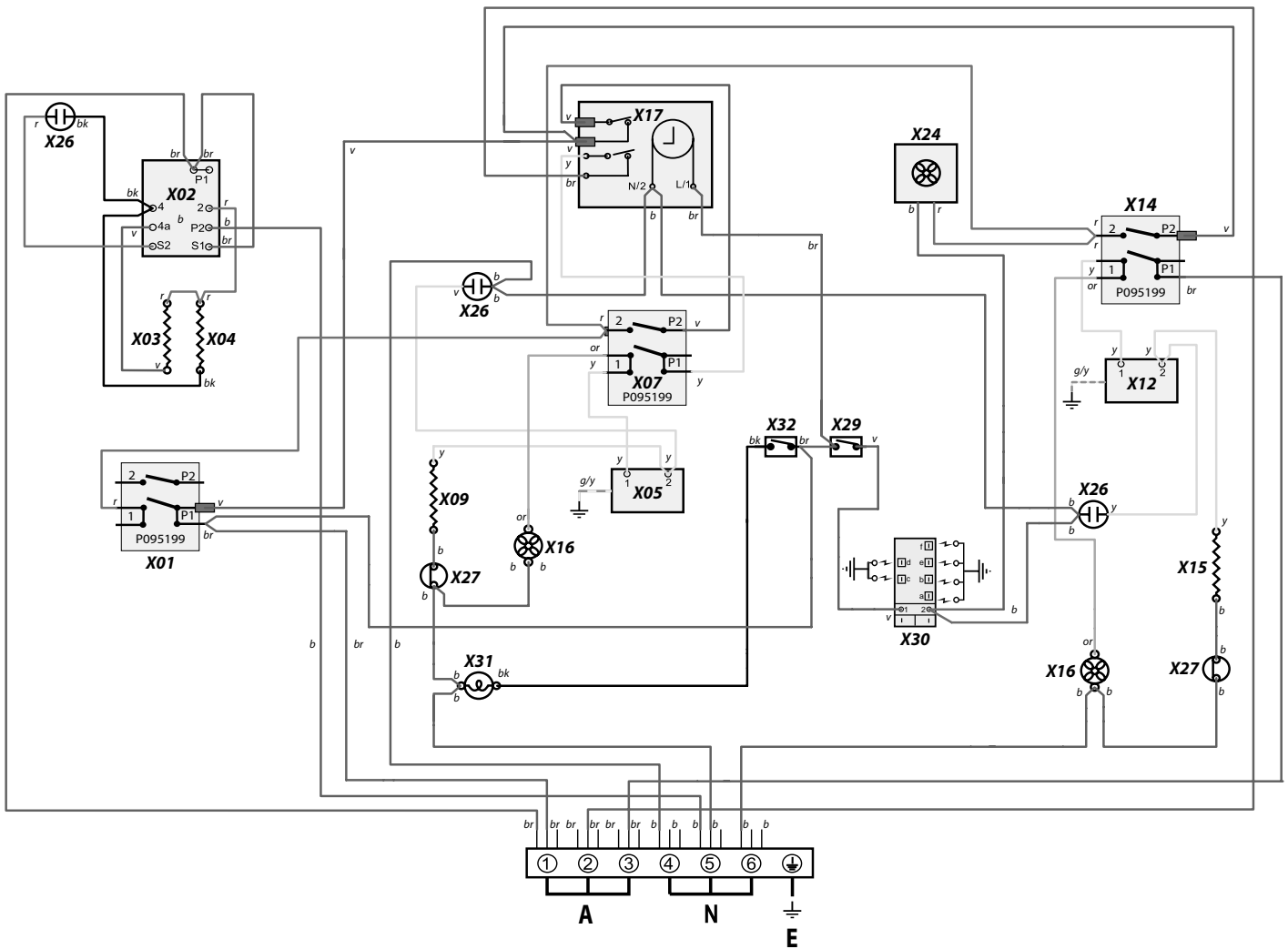
Open the oven door. The seal is held in place by small hooks on the rear face. At the corner, pull the seal diagonally away from the door centre until that hook is released (**Fig. 12.13**). Proceed to the next hook and release it in a similar way, and so on. Use force if the hooks are stiff, as the old seal will be discarded.

When fitting the new seal, position the seal join at the bottom. Hook the new seal in one of the corner holes of the door, and proceed round the door, snapping in each hook in turn.

### **6.11 Oven Door Glass**

The glass on the oven doors is not replaceable.

# 13. Circuit Diagram



## Key

The connections shown in the circuit diagram are for single-phase. The ratings are for 230V 50Hz.

| Code | Description                  |
|------|------------------------------|
| X01  | Grill front switch           |
| X02  | Grill energy control         |
| X03  | Left Hand Grill Element      |
| X04  | Right Hand Grill Element     |
| X05  | Left Hand Oven Thermostat    |
| X07  | Left Hand Oven Front Switch  |
| X09  | Left-hand oven element       |
| X12  | Right-hand oven thermostat   |
| X14  | Right-hand oven front switch |

| Code | Description             |
|------|-------------------------|
| X15  | Right-hand oven element |
| X16  | Oven fan                |
| X17  | Clock                   |
| X24  | Cooling fan             |
| X26  | Neon                    |
| X27  | Thermal cut-out         |
| X29  | Ignition switch         |
| X30  | Spark generator         |
| X31  | Oven light              |
| X32  | Oven light switch       |

| Code | Colour       |
|------|--------------|
| b    | Blue         |
| br   | Brown        |
| bk   | Black        |
| or   | Orange       |
| r    | Red          |
| v    | Violet       |
| w    | White        |
| y    | Yellow       |
| g/y  | Green/yellow |
| gr   | Grey         |

## 14. Technical Data

This cooker is designed for use on Natural gas, although a conversion for LP (LPG X Propane (2.54 kPa) gas is packed with the cooker.

**INSTALLER:** Please leave these instructions with the User. **DATA BADGE LOCATION :** Cooker back, serial number repeater badge below oven door opening. **COUNTRY OF DESTINATION:** Australia.

### Connection & Test Pressures

| Gas ( <i>Rp ½ at rear right-hand side</i> ) |          | Electric  |
|---|----------|-----------|
| Natural Gas                                 | 1 kPa    | 230V 50Hz |
| Propane                                     | 2.54 kPa |           |

See appliance data badge for test pressures.

### Dimensions

|                                |  |                |
|--------------------------------|--|----------------|
| Overall height                 | minimum 905 mm   | maximum 930 mm |
| Overall width                  | 900 mm   |                |
| Overall depth - Classic        | 608 mm (excluding handles); 670 mm (including handles) |                |
| Overall depth - Kitchener      | 604 mm (excluding handles); 652 mm (including handles) |                |
| Overall depth - Professional + | 604 mm (excluding handles); 642 mm (including handles) |                |
| Minimum space above hotplate   | 650 mm   |                |

Refer to 'Positioning the Cooker'.

### Ratings

| BSI Evo 1 Type Burners Australia |               |                         |          |         |                         |          |         |
|----------------------------------|---------------|-------------------------|----------|---------|-------------------------|----------|---------|
| Burner Type                      | Bypass Screw* | Natural Gas 1.0 kPa     |          |         | Propane 2.54 kPa        |          |         |
|                                  |               | Input                   | Injector |         | Input                   | Injector |         |
|                                  |               |                         | Marking  | Size Ø  |                         | Marking  | Size Ø  |
| Wok                              | 75            | 15.2 MJ/h <sup>-1</sup> | 198      | 1.93 mm | 15.0 MJ/h <sup>-1</sup> | 111      | 1.07 mm |
| Rapide / Large                   | 41            | 12.3 MJ/h <sup>-1</sup> | 165      | 1.65 mm | 12.0 MJ/h <sup>-1</sup> | 89       | 0.96 mm |
| Semi Rapide / Medium             | 33            | 6.2 MJ/h <sup>-1</sup>  | 115      | 1.15 mm | 6.2 MJ/h <sup>-1</sup>  | 67       | 0.68 mm |
| Auxillary / Small                | 25            | 3.7 MJ/h <sup>-1</sup>  | 92       | 0.92 mm | 3.3 MJ/h <sup>-1</sup>  | 48       | 0.50 mm |

Gas burner inputs based on Gross Calorific Value.

\* The valves in this cooker are fitted with adjustable bypass screws. The cooker is supplied with the bypass screws set for Natural gas. For LPG conversion the bypass screws must be screwed all the way down.

### Oven Efficiency

| Ovens  | Main Oven             | Tall Oven             |
|--|-----------------------|-----------------------|
|  | Forced Air Convection | Forced Air Convection |
| Maximum power output @ 230V 50Hz   | 2.5 kW                | 2.5 kW                |
| Energy efficiency class on a scale of A (more efficient) to G (less efficient) | A                     | A                     |
| Energy consumption based on standard load                                      | 0.90 kWh              | 0.99 kWh              |
| Usable volume (litres)   | 69                    | 66                    |
| Size   | Large                 | Large                 |
| Time to cook standard load   | 38 minutes            | 49 minutes            |
| Surface area of the grid   | 1400 cm <sup>2</sup>  | 790 cm <sup>2</sup>   |

|       |        |
|-------|--------|
| Grill | 2.3 kW |
|-------|--------|

**Maximum total electrical load at 230V** (approximate total including oven lights, oven fan, etc.): 7.40 kW.

Clarence Street, Royal Leamington Spa,  
Warwickshire, CV31 2AD, England.  
[www.falconworld.com](http://www.falconworld.com)